

TotalFit male threaded adapters

Project Information

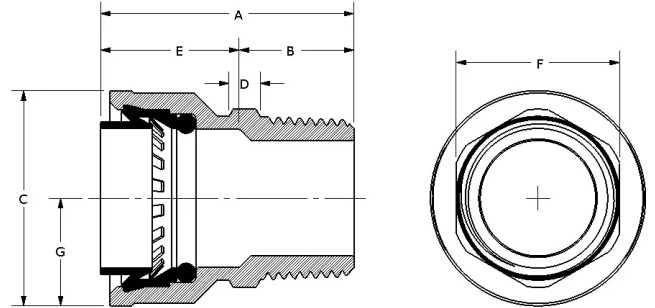
Job name:	Location:
Engineer:	Date submitted:
Contractor:	Submitted by:
Manufacturer's representative:	Approved by:

Technical data

Material	Engineered Polymer
Temp/pressure ratings	73 °F (23 °C) at 160 psi (11 bar) 180 °F (82 °C) at 100 psi (6.9 bar) 200 °F (93 °C) at 80 psi (5.5 bar)
Prop 65 label required?	No

Product information and application use

TotalFit™ is the professional-grade engineered polymer (EP) push-to connect solution that provides greater value for residential projects with the same versatility and speed as brass push-to-connect fittings for PEX, PE-RT, CPVC, and copper piping systems.



Part name	Part no.	A [mm]	B [mm]	C [mm]	D [mm]	E [mm]	F [mm]	G [mm]	End Type 1	End Type 2	Weight per UOM [kg/UOM]
TotalFit Male Threaded Adapter, 1" x 1" NPT	TF4521010	52.70	23.90	44.70	6.50	28.80	34	22.35	TotalFit 1"	MNPT 1"	0.036
TotalFit Male Threaded Adapter, 1/2" x 1/2" NPT	TF4525050	43	19.80	28.70	6.50	23.20	22.50	14.35	TotalFit 1/2"	MNPT 1/2"	0.014
TotalFit Male Threaded Adapter, 1/2" x 3/4" NPT	TF4525075	43.50	20.30	28.70	6.50	23.20	27	14.35	TotalFit 1/2"	MNPT 3/4"	0.018
TotalFit Male Threaded Adapter, 3/4" x 1" NPT	TF4527510	51.15	24.05	37	6.50	27.10	34	18.50	TotalFit 3/4"	MNPT 1"	0.028
TotalFit Male Threaded Adapter, 3/4" x 3/4" NPT	TF4527575	49.10	22	37	6.50	27.10	27	18.50	TotalFit 3/4"	MNPT 3/4"	0.022

Part name	Part no.	Codes	Standards	Listings
TotalFit male threaded adapters	All	UPC IMC IPC IRC UMC NPC of Canada CPC CMC	NSF/ANSI 14 NSF/ANSI/CAN 61 NSF/ANSI/CAN 372 ASTM F877 ASSE 1061	IAPMO K-13573 IAPMO K-13572 IAPMO K-13571

Installation

Install on PEX, PE-RT, CPVC, and copper piping systems. Use deburr and depth tool to remove excess material or burrs and mark the appropriate depth on pipe. If using flexible PEX or PE-RT, install the insert inside the pipe first before making the connection. Refer to the Uponor TotalFit Instruction Sheet for additional information.

Related applications

- Plumbing
- Hydronic Heating & Cooling

Footnotes

Contact information

Uponor Inc.
5925 148th Street West
Apple Valley, MN 55124
T 800.321.4739
F 952.891.2008

Uponor Ltd.
6510 Kennedy Road
Mississauga, ON L5T 2X4
T 888.594.7726
F 800.638.9517