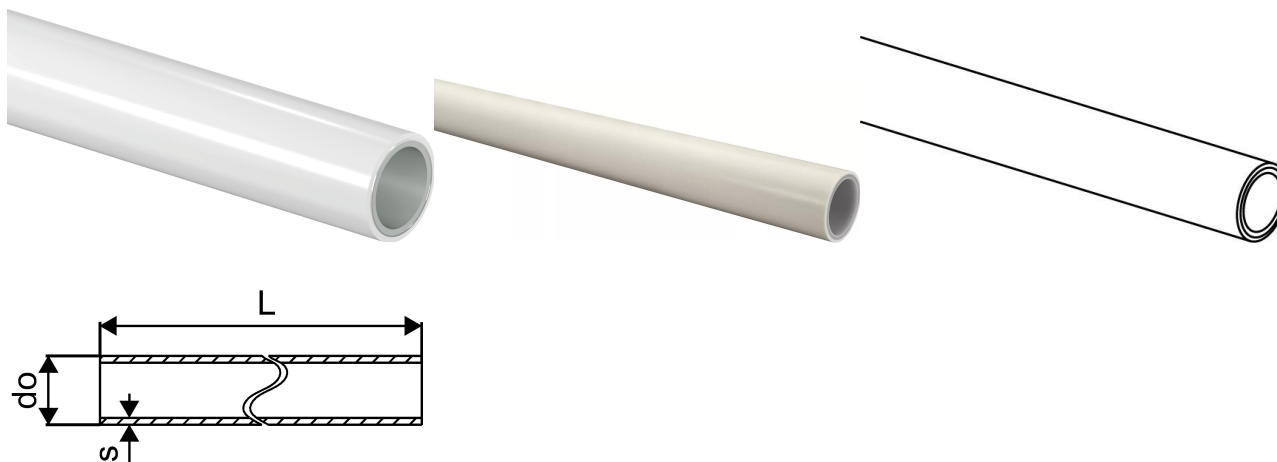


Uponor MLC white S 90x8,5 5m

1013455

- bar
- High dimensional stability, low expansion rates
- Increased flexibility
- 100% oxygen barrier



Application information Uponor MLC white S

Specification

- Oxygen diffusion resistant multi-layer composite pipe (PE-RT - adhesive - longitudinally welded aluminium - adhesive - PE-RT)
- Fire classification E according to EN 13501-1.
- With pipe end caps as hygienic seal according EN 806.

Application

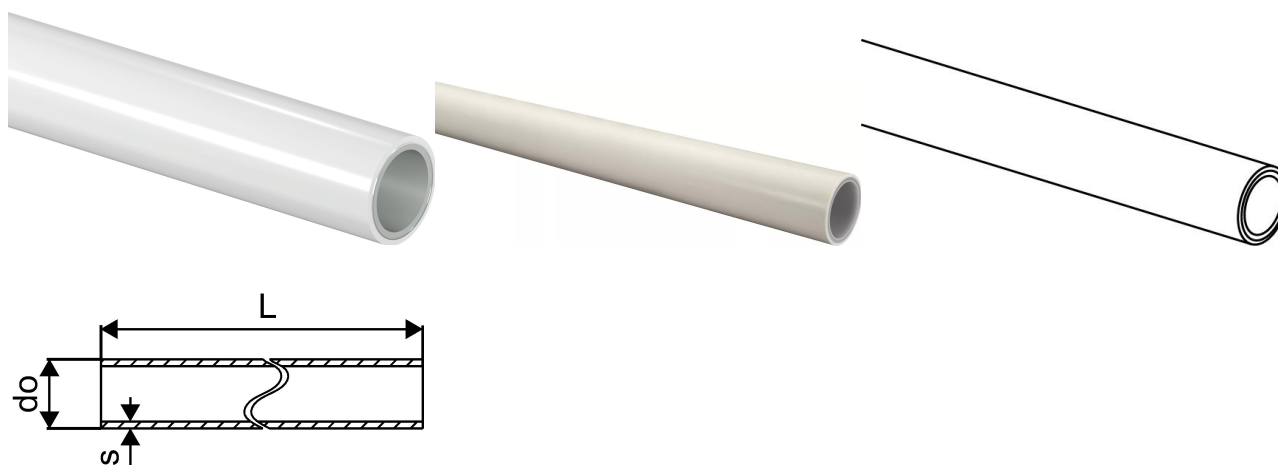
- Tap water: The permanent operating temperature ranges from 0°C to 70°C at a maximum permanent operating pressure of 10 bar. The short-term malfunction temperature is 95°C for a period of 100 hours in the operating life time.
- Heating: The permanent operating temperature ranges up to 80°C at a maximum permanent operating pressure of 10 bar. The short-term malfunction temperature is 100°C for a period of 100 hours in the operating life time.

Certification

- Approvals by local OM.
- E.g.
- DVGW
 - AENOR

Uponor MLC white S 90x8,5 5m

1013455



Product code

Item no EAN	4021598012677
Item no GF	35001013455
Item no GTIN	04021598012677
Item no LVI	1720111
Item no NOBB	48328064
Item no NRF	5071333
Item no RSK	1875492
Item no VVS	087306190

Dimensions

Item Unit Height	90
Item Unit Length	1000
Item Unit Weight	2,568
Item Unit Width	90
Item_UOM	m

Measurements

Outer Diameter_do	90
Wall thickness_s	8,5

Packaging

Packaging GTIN PL1	06414900623735
Packaging GTIN PL2	06414905423491
Packaging GTIN PL4	06414905257089
Packaging Height PL1	90

Packaging Height PL2	110
Packaging Height PL4	725
Packaging Length PL1	5000
Packaging Length PL2	5070
Packaging Length PL4	5080
Packaging Quantity PL1	5
Packaging Quantity PL2	5
Packaging Quantity PL4	255
Packaging Type PL1	Bar
Packaging Type PL2	Cover_Pipe
Packaging Type PL4	Wooden_Cage
Packaging Volume PL1	0,0405
Packaging Volume PL2	0,061347
Packaging Volume PL4	4,23545
Packaging Weight PL1	12,84
Packaging Weight PL2	18,72
Packaging Weight PL4	930
Packaging Width PL1	90
Packaging Width PL2	110
Packaging Width PL4	1150

Documents

Page with all documents



Uponor Corporation

Ilmalantori 4
00240, Helsinki
Finland

T +358 (0)20 129 211

E
communications@georgfischer.
com