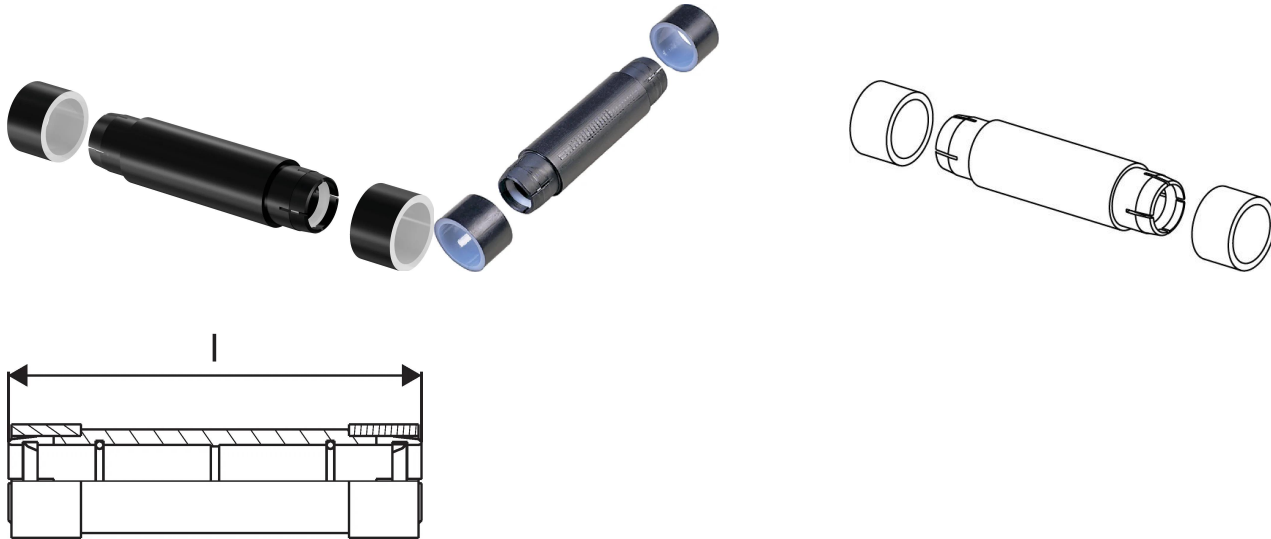


Uponor Meltaway coupling 25x2,3 290mm

1033678

- For Meltaway pipes



Application information Uponor Meltaway coupling

Specification

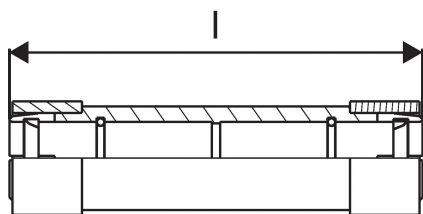
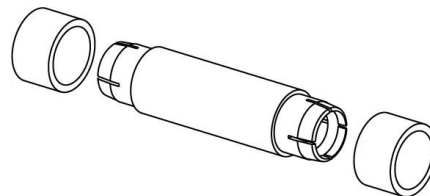
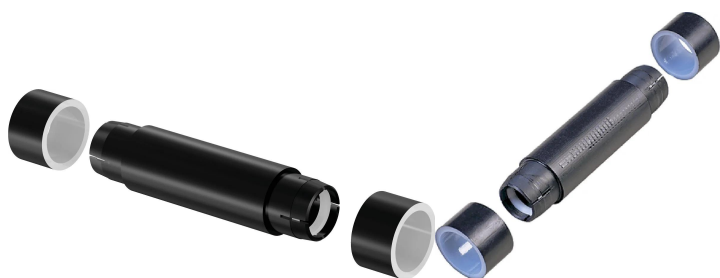
- snow- and ice melting system for areas with solid ground covering
- Made of high density polyethylene (HDPE) pipe
- Equipped with compact-welded couplings oriented in two directions with an angle of 120° between them

Application

- outdoor surface warming
- snow and ice melting

Uponor Meltaway coupling 25x2,3 290mm

1033678



Product code

Item no EAN	7321500038311
Item no GF	35001033678
Item no GTIN	07321500038311
Item no NOBB	41948533
Item no NRF	8601826

Dimensions

Item Unit Height	305
Item Unit Length	40
Item Unit Weight	0,176
Item Unit Width	40
Item_UOM	pce

Measurements

LENGTH_L	290
Wall thickness_s	2,3

Packaging

Packaging GTIN PL1	06414905440184
Packaging Height PL1	305
Packaging Length PL1	40
Packaging Quantity PL1	1
Packaging Type PL1	Base_Box
Packaging Volume PL1	0,000488
Packaging Weight PL1	0,276

Documents

Page with all documents



Uponor Corporation

Ilmalantori 4
00240, Helsinki
Finland

T +358 (0)20 129 211
E
communications@georgfischer.
com