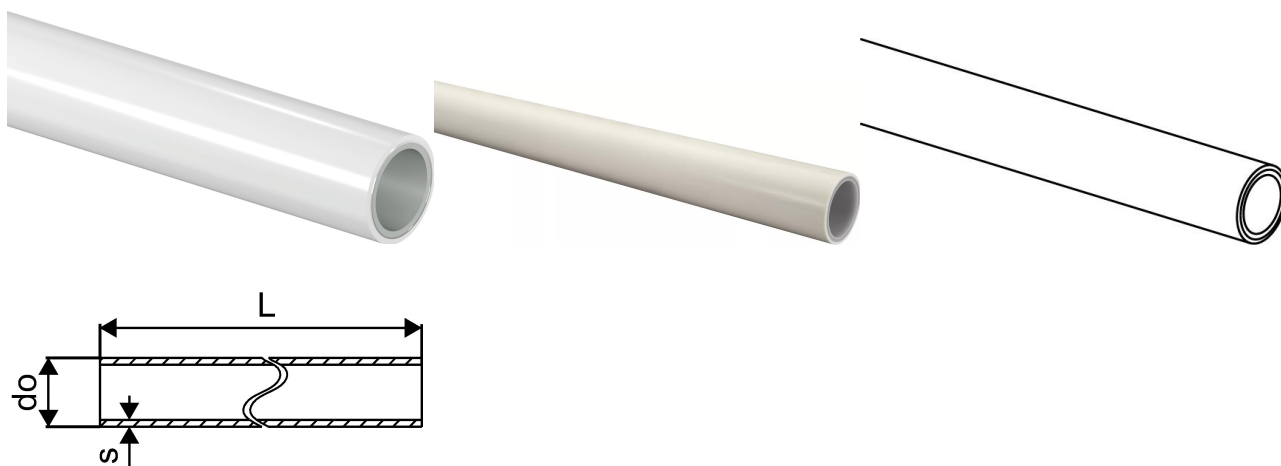


## Uponor MLC white S 90x8,5 5m

1013455

- Bar
- High dimensional stability, low expansion rate
- A stiffer construction than a coiled pipe
- 100% Oxygen barrier



## About Uponor MLC white S

### Specification

Uponor MLC (Multi Layer Composite).

- PE-RT/AL/PE-RT - 5 layer composite pipe consisting of an Aluminium pipe , bonded to an inner layer of Polyethylene Raised Temperature (PE-RT), and an outer layer of white Polyethylene Raised Temperature (PE-RT).
- 100% oxygen-proof diffusion barrier, exceeding the requirements of DIN 4726
- Manufactured to BS EN ISO 21003-1 2008.
- Pipes are marked at 1m intervals with full production data, in accordance with the requirements of the standard.
- Sizes 12 - 32mm supplied as flexible coils, or 40-110mm as extra rigid straight lengths.

### Application

Tested/approved according to BS EN ISO 21003 Multilayer piping systems for hot and cold water installations inside buildings for application class 1,2,4,5/10bar

Domestic water services: The permanent operating temperature from 20°C to 70°C at a maximum permanent operating pressure of 10 bar. The short-term malfunction temperature is 95°C for a period of 100 hours in the operating life time.

Domestic cold water services : where the water temperature does not exceed 20°C at a maximum permanent operating pressure of 16bar.

Heating: The permanent operating temperature ranges up to 80°C at a maximum permanent operating pressure of 10 bar. The short-term malfunction temperature is 100°C for a period of 100 hours in the operating life time.

### Certification

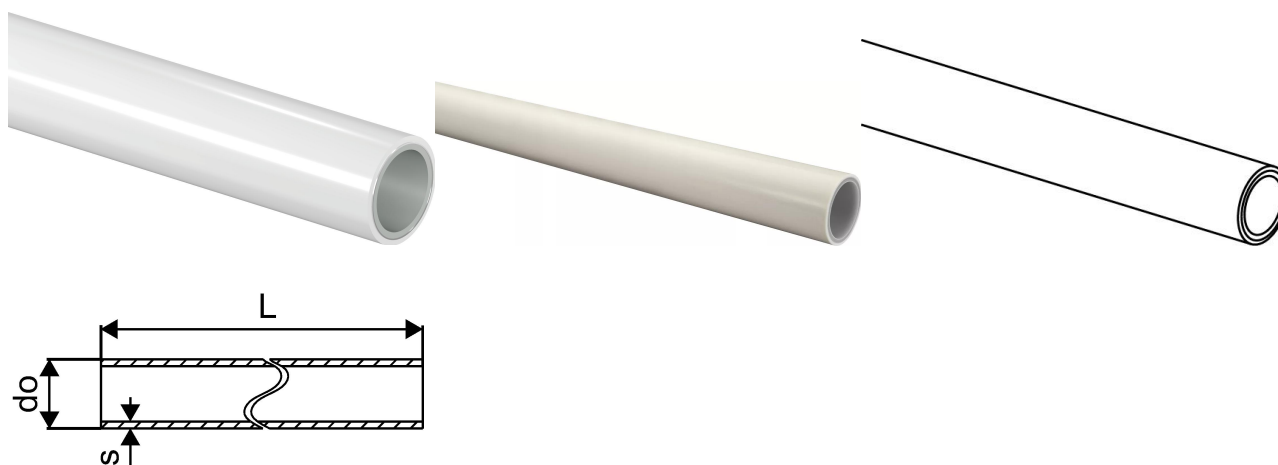
UK Reg4 approval

- WRAS or
- KIWA

To meet the requirements of the Water Supply (Water Fittings) Regulations 1999

## Uponor MLC white S 90x8,5 5m

1013455



### Product code

Item no EAN	4021598012677
Item no GF	35001013455
Item no GTIN	04021598012677
Item no LVI	1720111
Item no NOBB	48328064
Item no NRF	5071333
Item no RSK	1875492
Item no VVS	087306190

### Dimensions

Item Unit Height	90
Item Unit Length	1000
Item Unit Weight	2,568
Item Unit Width	90
Item_UOM	m

### Measurements

Outer Diameter_do	90
Wall thickness_s	8,5

### Packaging

Packaging GTIN PL2	06414905423491
Packaging GTIN PL4	06414905257089
Packaging Height PL2	110
Packaging Height PL4	725

Packaging Length PL2	5070
Packaging Length PL4	5080
Packaging Quantity PL2	5
Packaging Quantity PL4	255
Packaging Type PL2	Cover_Pipe
Packaging Type PL4	Wooden_Cage
Packaging Volume PL2	0,061347
Packaging Volume PL4	4,23545
Packaging Weight PL2	18,72
Packaging Weight PL4	930
Packaging Width PL2	110
Packaging Width PL4	1150

## Technical documents

Download documents here 

### Uponor UK

Blackmor Lane The Pavilion  
WD18 8GA, Watford  
UK

T +44 (0)1923 927000  
E [enquiries.uk@uponor.com](mailto:enquiries.uk@uponor.com)

[www.uponor.com/en-gb](http://www.uponor.com/en-gb)