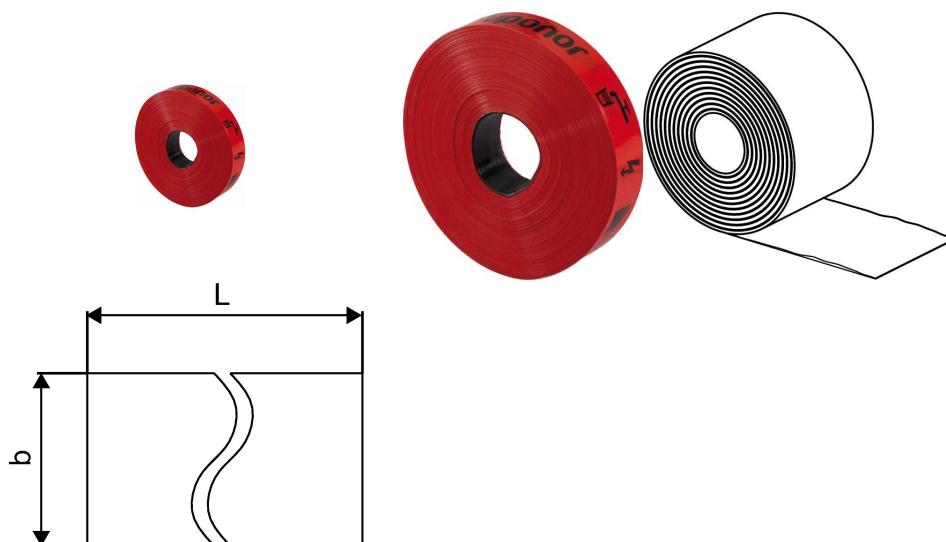


## Uponor Ecoflex trench warning tape, red 40mm x 250m

1018385

- For marking the position of buried Ecoflex pipes
- Tape marking with required application symbols



### About Uponor Ecoflex trench warning tape, red

#### Specification

- All accessories are corrosion resistant.

#### Application

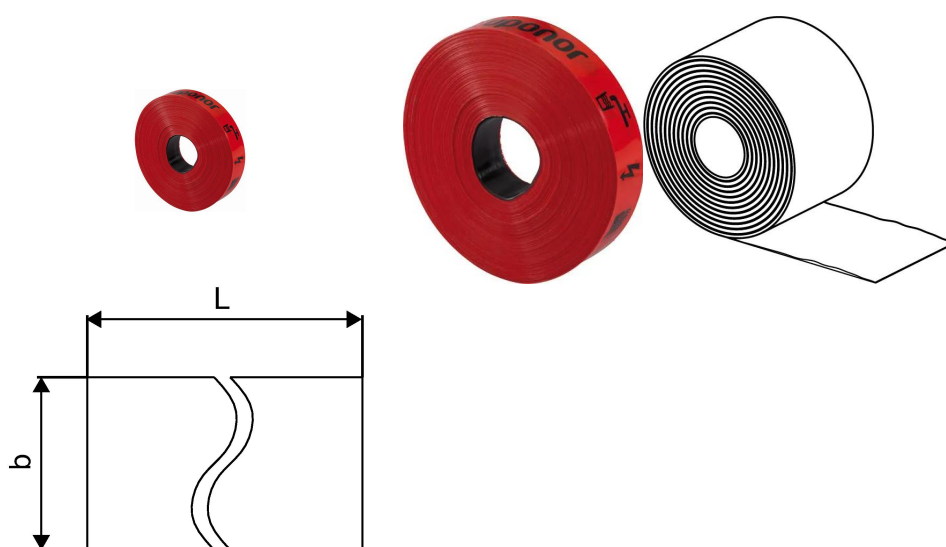
- Ecoflex accessories are designed for all below ground buried installations

#### Certification

-

## Uponor Ecoflex trench warning tape, red 40mm x 250m

1018385



### Product code

Item no EAN	4021598112148
Item no GF	35001018385
Item no GTIN	04021598112148
Item no LVI	3010160
Item no RSK	2286000

### Dimensions

Item Unit Height	220
Item Unit Length	40
Item Unit Weight	1,2
Item Unit Width	220
Item_UOM	pce

### Status

MTO (longer delivery times)

Item available on request, minimum lead time 2 weeks

### Packaging

Packaging GTIN PL1	06414900597784
Packaging Height PL1	50
Packaging Length PL1	250
Packaging Quantity PL1	1
Packaging Type PL1	Base_Box
Packaging Volume PL1	0,003125
Packaging Weight PL1	250
Packaging Width PL1	250

## Measurements

Z Measurement b

40

## Technical documents

Download documents here 

### Uponor UK

Blackmor Lane The Pavillion  
WD18 8GA, Watford  
UK

T +44 (0)1923 381212

E

customerservice.uk.bfs@georgfi  
scher.com