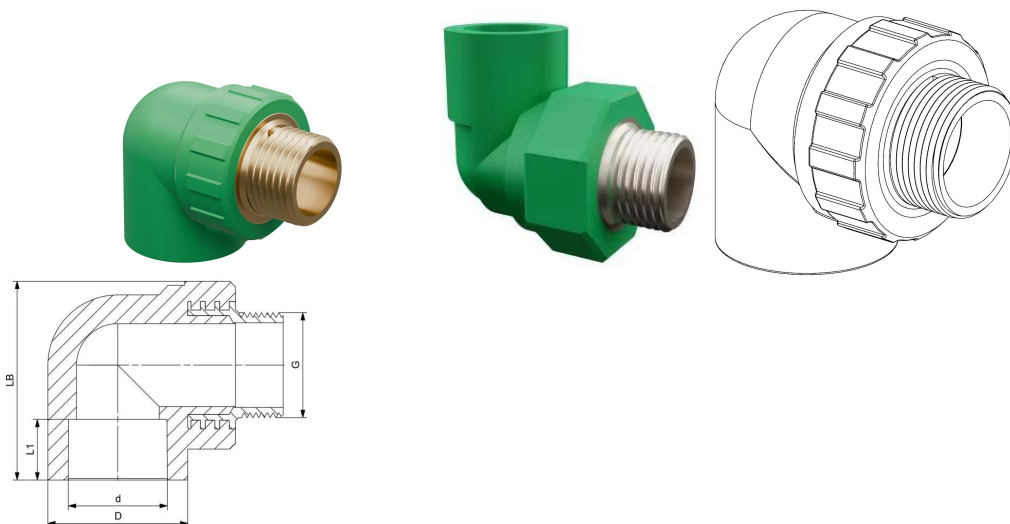


## GF Aquasystem Elbow with Male Thread Green PP-R 90° 25-3/4"MT

**1148636**

- Material: PP-R
- Color: Green
- Connection: Socket fusion



### About GF Aquasystem Elbow with Male Thread Green PP-R 90°

#### Specification

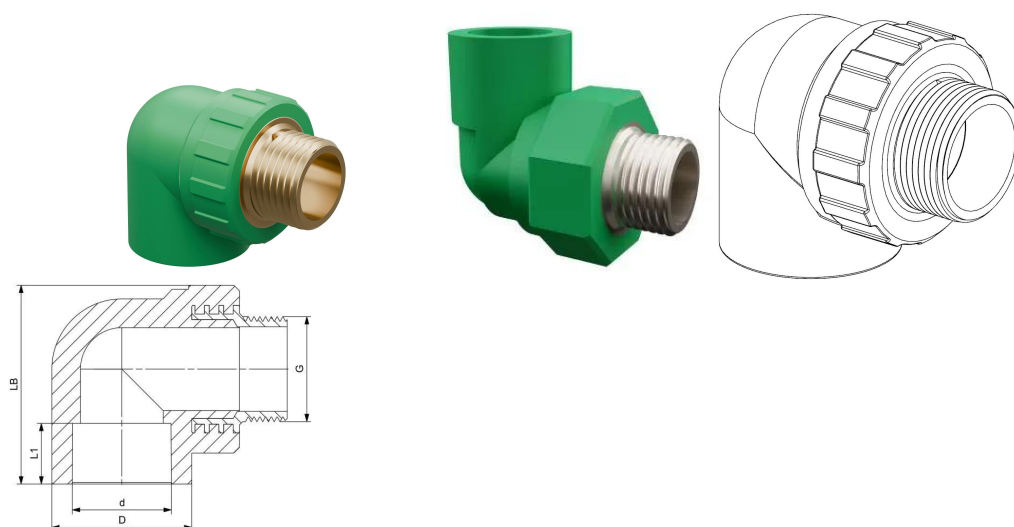
- AQUASYSTEM is one of the most reliable and high-quality PP-R systems on the market. It is ideal for transporting both hot and cold water in a variety of building systems as well as industrial and marine applications. The system features high temperature and pressure resistance while being hygienically safe and eligible for use in drinking water supply systems. Thanks to its chemical resistance behavior, the system is also a great choice for transferring or discharging chemical media.

#### Application

- Central heating systems
- Hot and cold water systems
- Drinking water and treated water supply systems
- Industrial Piping Systems (Transfer and discharge of chemicals)
- Air conditioner systems
- Solar Collectors

## GF Aquasystem Elbow with Male Thread Green PP-R 90° 25-3/4"MT

1148636



### Status

Item Available From date

2025-10-01

### Product code

Item no EAN 8698652134543

Item no GF 4302102530321

Item no GTIN 08698652134543

### Dimensions

Item Unit Height 42

Item Unit Length 67

Item Unit Weight 0,091

Item Unit Width 59

Item\_UOM pce

### Measurements

Male\_thread\_R 3/4"

Z Measurement d 25

Z Measurement DD 33

Z Measurement L1 16

Z Measurement LB 59

### Packaging

Packaging GTIN PL1 06414900093804

Packaging GTIN PL2 06414900060974

Packaging GTIN PL4 06414900152860

Packaging Height PL1 350

Packaging Height PL2	243
Packaging Height PL4	1200
Packaging Length PL1	300
Packaging Length PL2	415
Packaging Length PL4	1200
Packaging Quantity PL1	25
Packaging Quantity PL2	100
Packaging Quantity PL4	4800
Packaging Type PL1	Plastic_Bag
Packaging Type PL2	Medium_Box
Packaging Type PL4	Pallet
Packaging Volume PL1	0,006195
Packaging Volume PL2	0,02541294
Packaging Volume PL4	1,44
Packaging Weight PL1	2,275
Packaging Weight PL2	9,14
Packaging Weight PL4	461,8
Packaging Width PL1	59
Packaging Width PL2	252
Packaging Width PL4	1000

## Technical documents

Download documents here 

### Uponor UK

Blackmor Lane The Pavilion  
WD18 8GA, Watford  
UK

T +44 (0)1923 927000  
E [enquiries.uk@uponor.com](mailto:enquiries.uk@uponor.com)

[www.uponor.com/en-gb](http://www.uponor.com/en-gb)