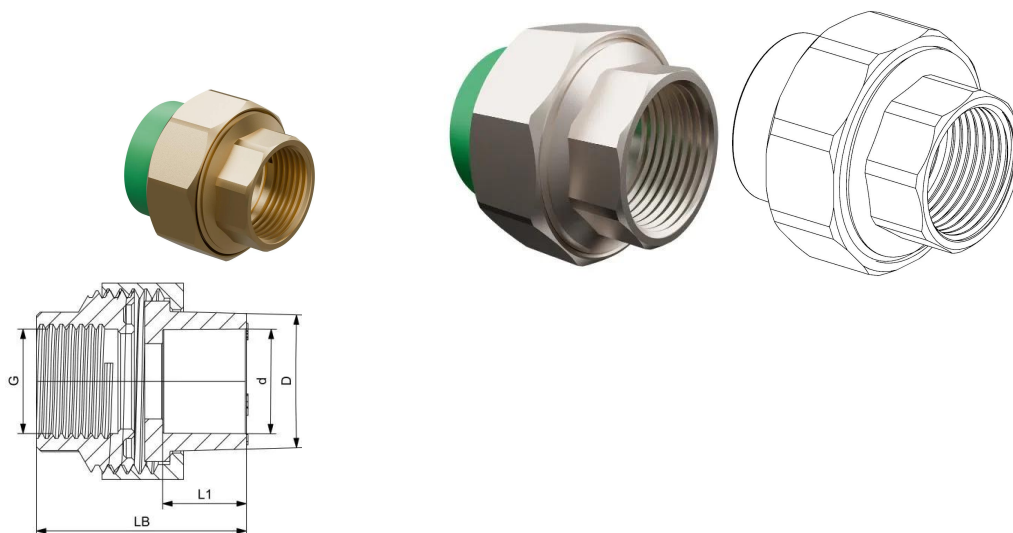


GF Aquasystem Transition Joint with Hexagonal Female Thread Green PP-R 20-1/2"

1148715

- Material: PP-R
- Color: Green
- Connection: Socket fusion



About GF Aquasystem Transition Joint with Hexagonal Female Thread Green PP-R

Specification

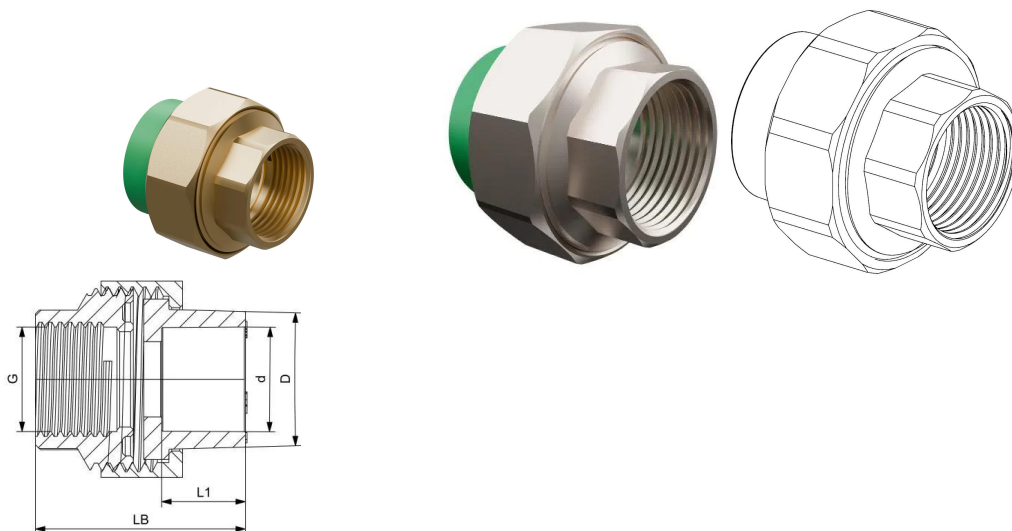
- AQUASYSTEM is one of the most reliable and high-quality PP-R systems on the market. It is ideal for transporting both hot and cold water in a variety of building systems as well as industrial and marine applications. The system features high temperature and pressure resistance while being hygienically safe and eligible for use in drinking water supply systems. Thanks to its chemical resistance behavior, the system is also a great choice for transferring or discharging chemical media.

Application

- Central heating systems
- Hot and cold water systems
- Drinking water and treated water supply systems
- Industrial Piping Systems (Transfer and discharge of chemicals)
- Air conditioner systems
- Solar Collectors

GF Aquasystem Transition Joint with Hexagonal Female Thread Green PP-R 20-1/2"

1148715



Measurements

Female thread Rp	1/2"
Z Measurement d	25,2
Z Measurement DD	25
Z Measurement L1	15,4
Z Measurement LB	39

Status

Item Available From date	2025-10-01
--------------------------	------------

Product code

Item no EAN	8698652135090
Item no GF	4302702030421
Item no GTIN	08698652135090

Dimensions

Item Unit Height	40
Item Unit Length	36
Item Unit Weight	0,07
Item Unit Width	36
Item_UOM	pce

Packaging

Packaging GTIN PL1	06414900095297
Packaging GTIN PL2	06414900061186

Packaging GTIN PL4	06414900153133
Packaging Height PL1	350
Packaging Height PL2	415
Packaging Height PL4	1200
Packaging Length PL1	300
Packaging Length PL2	415
Packaging Length PL4	1200
Packaging Quantity PL1	50
Packaging Quantity PL2	300
Packaging Quantity PL4	14400
Packaging Type PL1	Plastic_Bag
Packaging Type PL2	Medium_Box
Packaging Type PL4	Pallet
Packaging Volume PL1	0,00378
Packaging Volume PL2	0,0516675
Packaging Volume PL4	1,44
Packaging Weight PL1	3,51
Packaging Weight PL2	21,16
Packaging Weight PL4	1033
Packaging Width PL1	36
Packaging Width PL2	300
Packaging Width PL4	1000

Technical documents

Download documents here

Uponor UK

Blackmor Lane The Pavillion
 WD18 8GA, Watford
 UK

T +44 (0)1923 381212

E
 customerservice.uk.bfs@georgfi
 scher.com