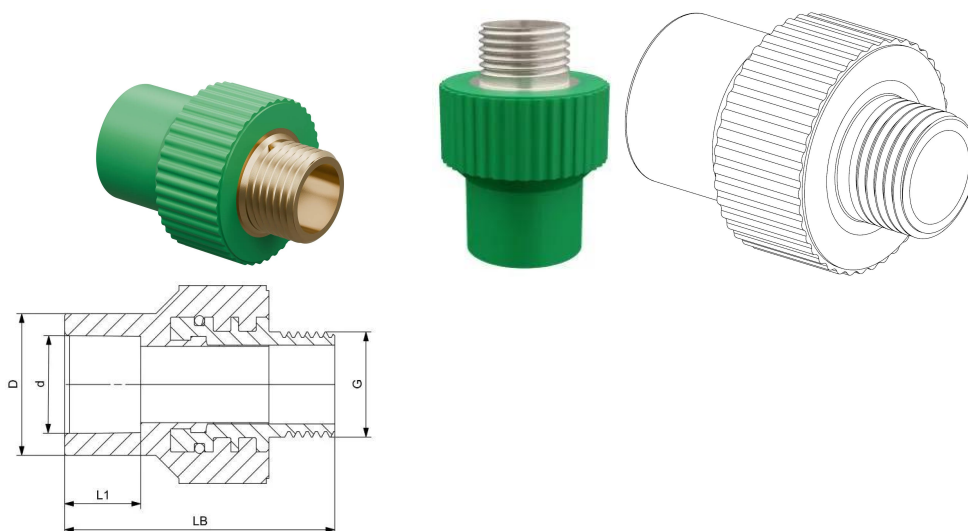


GF Aquasystem Transition Socket male thread PPR green 20-3/4"

1148722

- PP-R Green material



About GF Aquasystem Transition Socket male thread PPR green

Specification

- AQUASYSTEM is one of the most reliable and high-quality PP-R systems on the market. It is ideal for transporting both hot and cold water in a variety of building systems as well as industrial and marine applications. The system features high temperature and pressure resistance while being hygienically safe and eligible for use in drinking water supply systems. Thanks to its chemical resistance behavior, the system is also a great choice for transferring or discharging chemical media.

Application

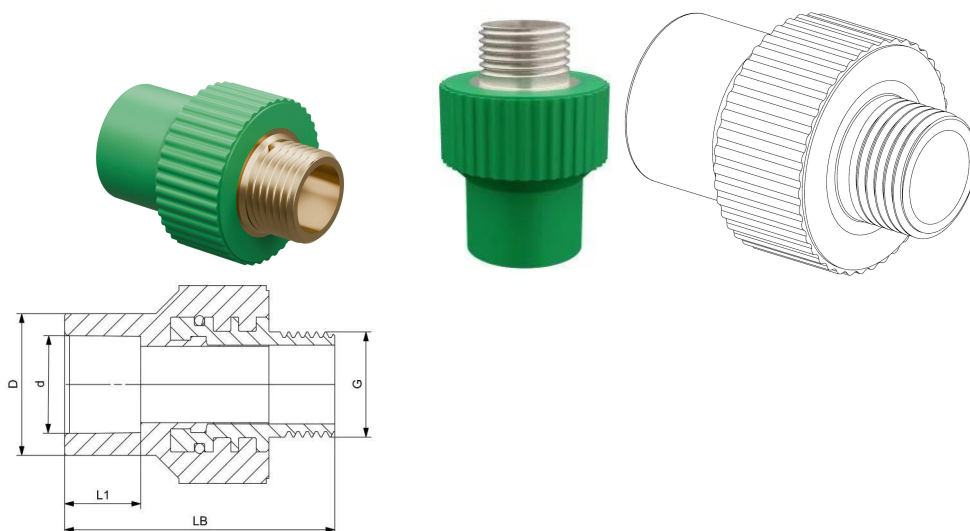
- Central heating systems
- Hot and cold water systems
- Drinking water and treated water supply systems
- Industrial Piping Systems (Transfer and discharge of chemicals)
- Air conditioner systems
- Solar Collectors

Certification

- WRAS Material approval (BS6920)

GF Aquasystem Transition Socket male thread PPR green 20-3/4"

1148722



Status

Item Available From date

2025-10-01

Product code

Item no EAN 8698652134659

Item no GF 4302702040321

Item no GTIN 08698652134659

Dimensions

Item Unit Height 57

Item Unit Length 42

Item Unit Weight 0,069

Item Unit Width 42

Item_UOM pce

Packaging

Packaging GTIN PL1 06414900095433

Packaging GTIN PL2 06414900061223

Packaging GTIN PL4 06414900153171

Packaging Height PL1 350

Packaging Height PL2 415

Packaging Height PL4 1200

Packaging Length PL1 300

Packaging Length PL2 415

Packaging Length PL4 1200

Packaging Quantity PL1 25

| | |
|------------------------|-------------|
| Packaging Quantity PL2 | 200 |
| Packaging Quantity PL4 | 9600 |
| Packaging Type PL1 | Plastic_Bag |
| Packaging Type PL2 | Medium_Box |
| Packaging Type PL4 | Pallet |
| Packaging Volume PL1 | 0,00441 |
| Packaging Volume PL2 | 0,0516675 |
| Packaging Volume PL4 | 1,44 |
| Packaging Weight PL1 | 1,735 |
| Packaging Weight PL2 | 13,98 |
| Packaging Weight PL4 | 687,4 |
| Packaging Width PL1 | 42 |
| Packaging Width PL2 | 300 |
| Packaging Width PL4 | 1000 |

Technical documents

Download documents here 

Uponor UK

Blackmor Lane The Pavilion
 WD18 8GA, Watford
 UK

T +44 (0)1923 927000
 E enquiries.uk@uponor.com

www.uponor.com/en-gb