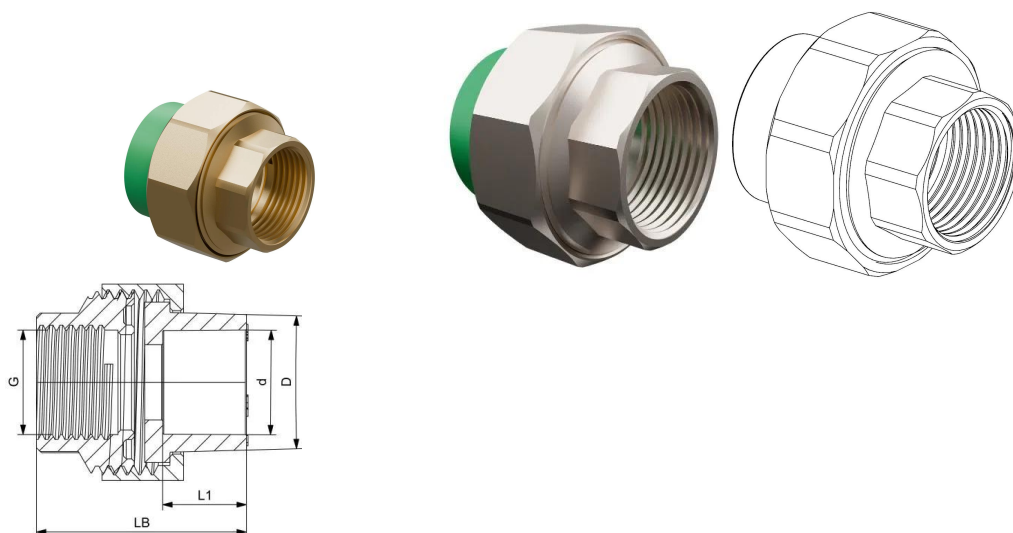


## GF Aquasystem Transition Joint hexagonal female thread PPR green 25-3/4"

1148728

- PP-R Green material



### About GF Aquasystem Transition Joint hexagonal female thread PPR green

#### Specification

- AQUASYSTEM is one of the most reliable and high-quality PP-R systems on the market. It is ideal for transporting both hot and cold water in a variety of building systems as well as industrial and marine applications. The system features high temperature and pressure resistance while being hygienically safe and eligible for use in drinking water supply systems. Thanks to its chemical resistance behavior, the system is also a great choice for transferring or discharging chemical media.

#### Application

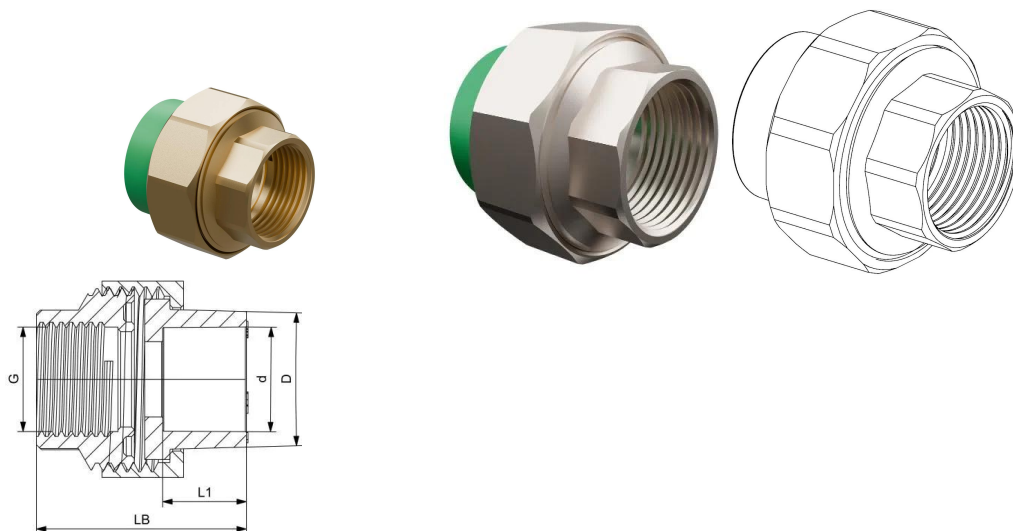
- Central heating systems
- Hot and cold water systems
- Drinking water and treated water supply systems
- Industrial Piping Systems (Transfer and discharge of chemicals)
- Air conditioner systems
- Solar Collectors

#### Certification

- WRAS Material approval (BS6920)

## GF Aquasystem Transition Joint hexagonal female thread PPR green 25-3/4"

1148728



### Status

Item Available From date

2025-10-01

### Product code

Item no EAN	8698652135106
Item no GF	4302702530021
Item no GTIN	08698652135106

### Dimensions

Item Unit Height	45
Item Unit Length	45
Item Unit Weight	0,106
Item Unit Width	45
Item_UOM	pce

### Technical data

Recycling Text Block PL1	plastic film / film plastico
Recycling Text Block PL2	corrugated cardboard / cartone
Recycling Text Block PL4	wooden pallet / pallet di legno

### Packaging

Packaging GTIN PL1	06414900095556
Packaging GTIN PL2	06414900277273
Packaging GTIN PL4	06414900277280
Packaging Height PL1	200

Packaging Height PL2	243
Packaging Height PL4	1300
Packaging Length PL1	300
Packaging Length PL2	415
Packaging Length PL4	1100
Packaging Material (number) PL1	04
Packaging Material (number) PL2	20
Packaging Material (number) PL4	51
Packaging Material PL1	plastic film / film plastico
Packaging Material PL2	corrugated cardboard / cartone
Packaging Material PL4	wooden pallet / pallet di legno
Packaging Material (short) PL1	PELD
Packaging Material (short) PL2	PAP_C
Packaging Material (short) PL4	WOOD
Packaging Quantity PL1	50
Packaging Quantity PL2	150
Packaging Quantity PL4	7200
Packaging Type PL1	POUCH
Packaging Type PL2	MEDIUM_BOX
Packaging Type PL4	PALLET
Packaging Volume PL1	0,021
Packaging Volume PL2	0,02541294
Packaging Volume PL4	1,859
Packaging Weight PL1	5,315
Packaging Weight PL2	16,425
Packaging Weight PL4	810,400
Packaging Width PL1	350
Packaging Width PL2	252
Packaging Width PL4	1300

## Technical documents

Download documents here

### Uponor UK

Blackmor Lane The Pavilion  
WD18 8GA, Watford  
UK

T +44 (0)1923 927000  
E [enquiries.uk@uponor.com](mailto:enquiries.uk@uponor.com)

[www.uponor.com/en-gb](http://www.uponor.com/en-gb)