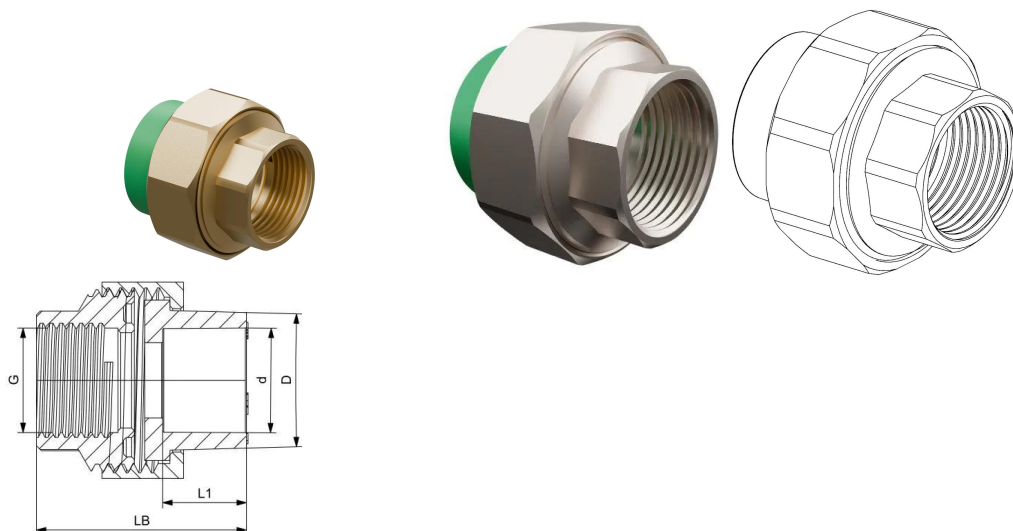


GF Aquasystem Transition Joint hexagonal female thread PPR green 32-1"

1148751

- PP-R Green material



About GF Aquasystem Transition Joint hexagonal female thread PPR green

Specification

- AQUASYSTEM is one of the most reliable and high-quality PP-R systems on the market. It is ideal for transporting both hot and cold water in a variety of building systems as well as industrial and marine applications. The system features high temperature and pressure resistance while being hygienically safe and eligible for use in drinking water supply systems. Thanks to its chemical resistance behavior, the system is also a great choice for transferring or discharging chemical media.

Application

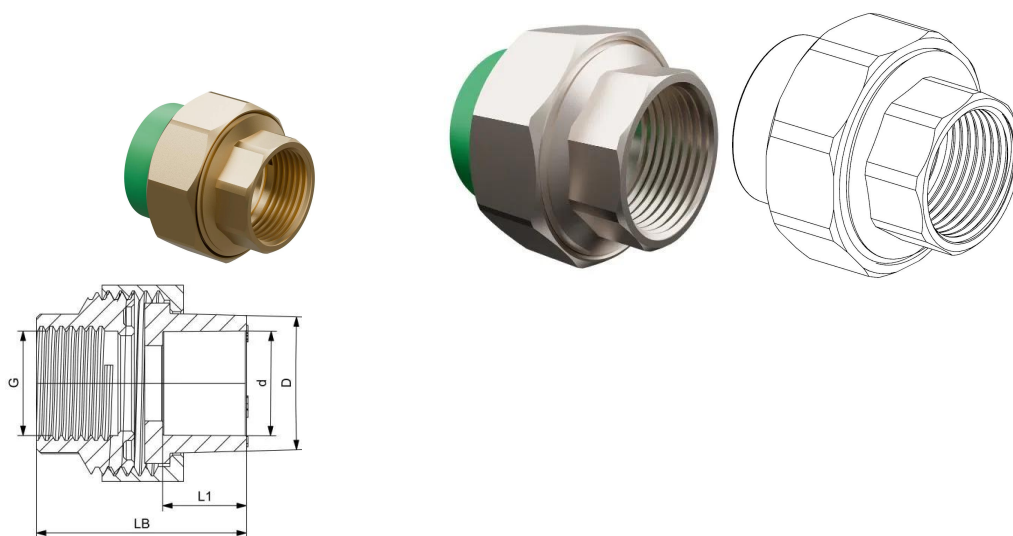
- Central heating systems
- Hot and cold water systems
- Drinking water and treated water supply systems
- Industrial Piping Systems (Transfer and discharge of chemicals)
- Air conditioner systems
- Solar Collectors

Certification

- WRAS Material approval (BS6920)

GF Aquasystem Transition Joint hexagonal female thread PPR green 32-1"

1148751



Status

Item Available From date

2025-10-01

Product code

Item no EAN 8698652135113

Item no GF 4302703230021

Item no GTIN 08698652135113

Dimensions

Item Unit Height 50

Item Unit Length 55

Item Unit Weight 0,125

Item Unit Width 55

Item_UOM pce

Technical data

Recycling Text Block PL1 plastic film / film plastico

Recycling Text Block PL2 corrugated cardboard / cartone

Recycling Text Block PL4 wooden pallet / pallet di legno

Packaging

Packaging GTIN PL1 06414900142540

Packaging GTIN PL2 06414900277259

Packaging GTIN PL4 06414900277266

Packaging Height PL1 200

Packaging Height PL2 243

Packaging Height PL4 1300

Packaging Length PL1	300
Packaging Length PL2	415
Packaging Length PL4	1100
Packaging Material (number) PL1	04
Packaging Material (number) PL2	20
Packaging Material (number) PL4	51
Packaging Material PL1	plastic film / film plastico
Packaging Material PL2	corrugated cardboard / cartone
Packaging Material PL4	wooden pallet / pallet di legno
Packaging Material (short) PL1	PELD
Packaging Material (short) PL2	PAP_C
Packaging Material (short) PL4	WOOD
Packaging Quantity PL1	25
Packaging Quantity PL2	150
Packaging Quantity PL4	7200
Packaging Type PL1	POUCH
Packaging Type PL2	MEDIUM_BOX
Packaging Type PL4	PALLET
Packaging Volume PL1	0,021
Packaging Volume PL2	0,02541294
Packaging Volume PL4	1,859
Packaging Weight PL1	3,14
Packaging Weight PL2	19,32
Packaging Weight PL4	949,36
Packaging Width PL1	350
Packaging Width PL2	252
Packaging Width PL4	1300

Technical documents

Download documents here 

Uponor UK

Blackmor Lane The Pavilion
WD18 8GA, Watford
UK

T +44 (0)1923 927000
E enquiries.uk@uponor.com

www.uponor.com/en-gb