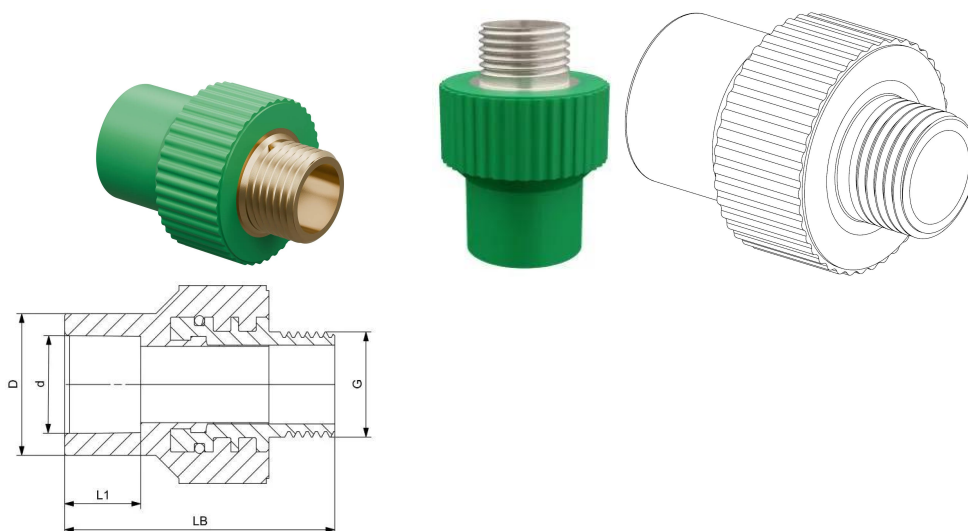


GF Aquasystem Transition Socket male thread PPR green 32 3/4"

1148760

- PP-R Green material



About GF Aquasystem Transition Socket male thread PPR green

Specification

- AQUASYSTEM is one of the most reliable and high-quality PP-R systems on the market. It is ideal for transporting both hot and cold water in a variety of building systems as well as industrial and marine applications. The system features high temperature and pressure resistance while being hygienically safe and eligible for use in drinking water supply systems. Thanks to its chemical resistance behavior, the system is also a great choice for transferring or discharging chemical media.

Application

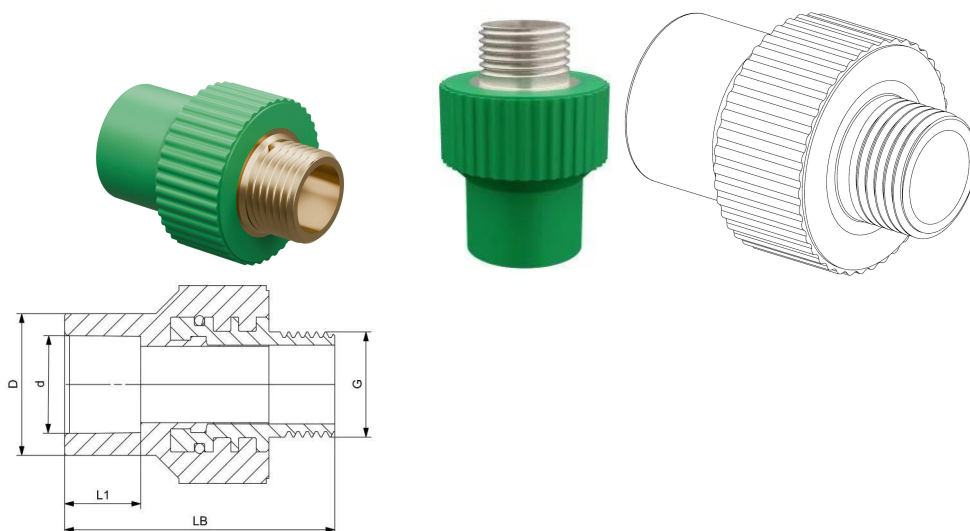
- Central heating systems
- Hot and cold water systems
- Drinking water and treated water supply systems
- Industrial Piping Systems (Transfer and discharge of chemicals)
- Air conditioner systems
- Solar Collectors

Certification

- WRAS Material approval (BS6920)

GF Aquasystem Transition Socket male thread PPR green 32 3/4"

1148760



Status

Item Available From date

2025-10-01

Product code

Item no EAN 8698652134710

Item no GF 4302703240121

Item no GTIN 08698652134710

Dimensions

Item Unit Height 61

Item Unit Length 53

Item Unit Weight 0,094

Item Unit Width 53

Item_UOM pce

Packaging

Packaging GTIN PL1 06414900142724

Packaging GTIN PL2 06414900061421

Packaging GTIN PL4 06414900153409

Packaging Height PL1 350

Packaging Height PL2 415

Packaging Height PL4 1200

Packaging Length PL1 300

Packaging Length PL2 415

Packaging Length PL4 1200

Packaging Quantity PL1 20

Packaging Quantity PL2	100
Packaging Quantity PL4	4800
Packaging Type PL1	Plastic_Bag
Packaging Type PL2	Medium_Box
Packaging Type PL4	Pallet
Packaging Volume PL1	0,005565
Packaging Volume PL2	0,0516675
Packaging Volume PL4	1,44
Packaging Weight PL1	1,89
Packaging Weight PL2	9,55
Packaging Weight PL4	476,2
Packaging Width PL1	53
Packaging Width PL2	300
Packaging Width PL4	1000

Technical documents

Download documents here 

Uponor UK

Blackmor Lane The Pavilion
WD18 8GA, Watford
UK

T +44 (0)1923 927000
E enquiries.uk@uponor.com

www.uponor.com/en-gb