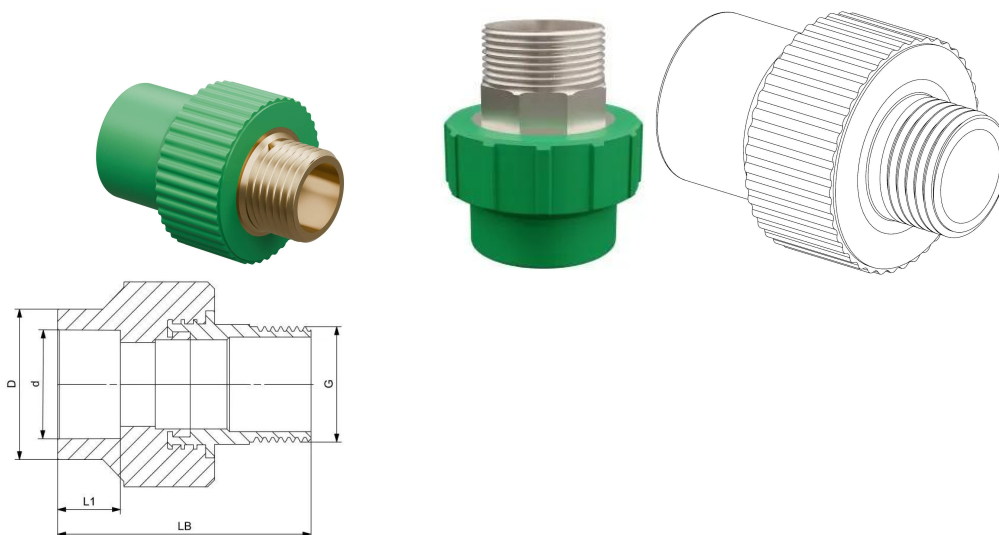


GF Aquasystem Transition Socket hexagonal male thread PPR green 50-1 1/2"

1148774

- PP-R Green material



About GF Aquasystem Transition Socket hexagonal male thread PPR Green

Specification

- AQUASYSTEM is one of the most reliable and high-quality PP-R systems on the market. It is ideal for transporting both hot and cold water in a variety of building systems as well as industrial and marine applications. The system features high temperature and pressure resistance while being hygienically safe and eligible for use in drinking water supply systems. Thanks to its chemical resistance behavior, the system is also a great choice for transferring or discharging chemical media.

Application

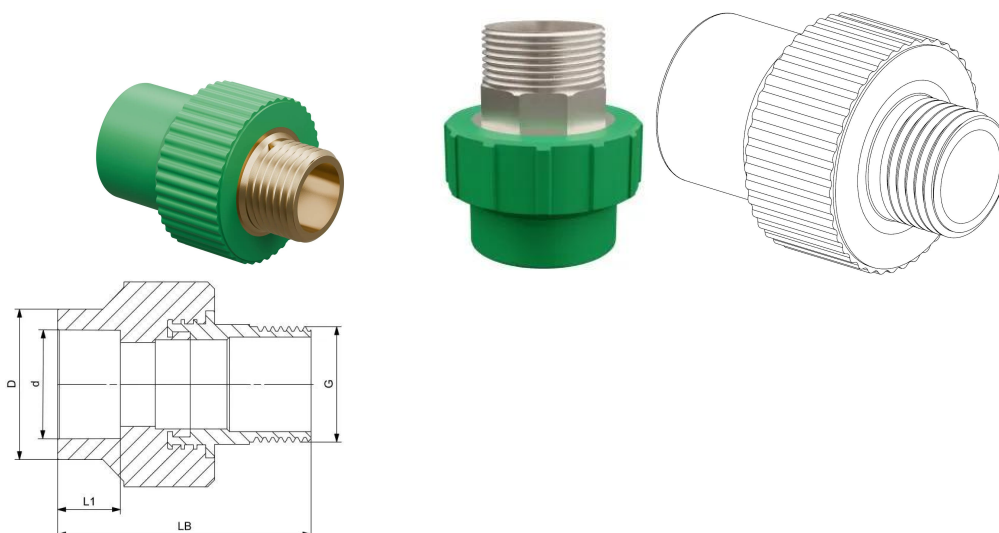
- Central heating systems
- Hot and cold water systems
- Drinking water and treated water supply systems
- Industrial Piping Systems (Transfer and discharge of chemicals)
- Air conditioner systems
- Solar Collectors

Certification

- WRAS Material approval (BS6920)

GF Aquasystem Transition Socket hexagonal male thread PPR green 50-1 1/2"

1148774



Status

Item Available From date

2025-10-01

Product code

Item no EAN	8698652134772
Item no GF	4302705040121
Item no GTIN	08698652134772

Dimensions

Item Unit Height	82
Item Unit Length	77
Item Unit Weight	0,37
Item Unit Width	77
Item_UOM	pce

Packaging

Packaging GTIN PL1	06414900143011
Packaging GTIN PL2	06414900061520
Packaging GTIN PL4	06414900153522
Packaging Height PL1	350
Packaging Height PL2	415
Packaging Height PL4	1200
Packaging Length PL1	300
Packaging Length PL2	415

Packaging Length PL4	1200
Packaging Quantity PL1	5
Packaging Quantity PL2	40
Packaging Quantity PL4	1920
Packaging Type PL1	Plastic_Bag
Packaging Type PL2	Medium_Box
Packaging Type PL4	Pallet
Packaging Volume PL1	0,008085
Packaging Volume PL2	0,0516675
Packaging Volume PL4	1,44
Packaging Weight PL1	1,86
Packaging Weight PL2	14,98
Packaging Weight PL4	735,4
Packaging Width PL1	77
Packaging Width PL2	300
Packaging Width PL4	1000

Technical documents

Download documents here 

Uponor UK

Blackmor Lane The Pavilion
WD18 8GA, Watford
UK

T +44 (0)1923 927000
E enquiries.uk@uponor.com

www.uponor.com/en-gb