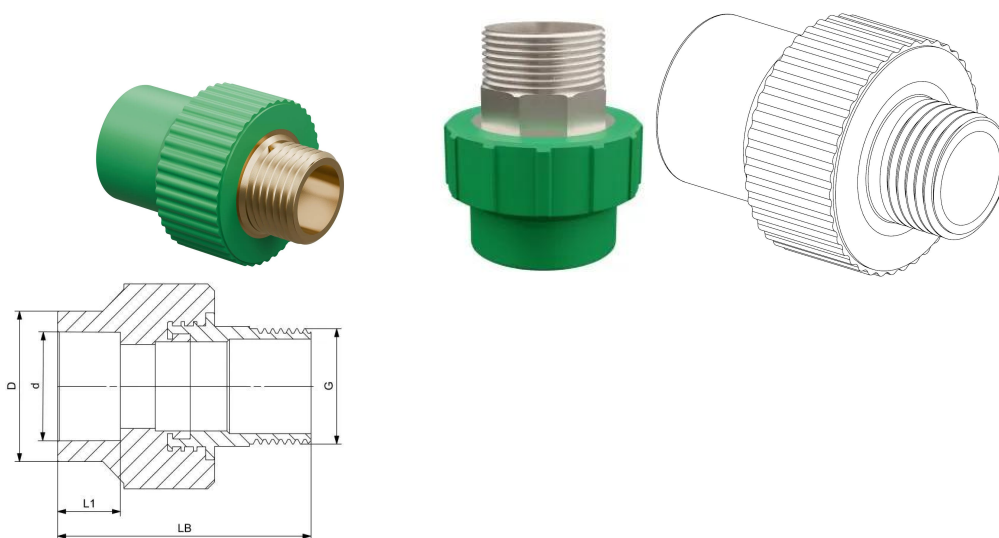


## GF Aquasystem Transition Socket with Hexagonal Male Thread Green PP-R 63-2"

1148780

- Material: PP-R
- Color: Green
- Connection: Socket fusion



### About GF Aquasystem Transition Socket with Hexagonal Male Thread Green PP-R

#### Specification

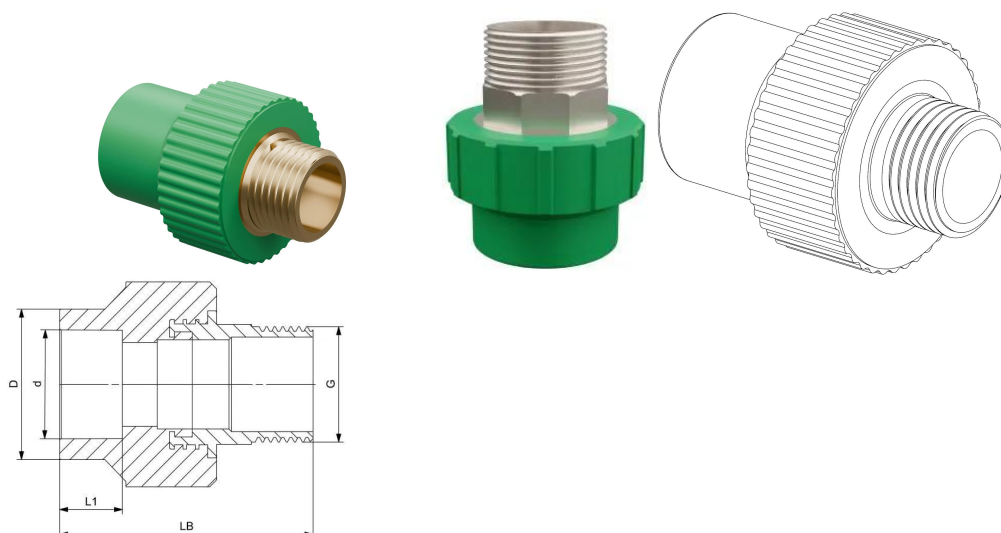
- AQUASYSTEM is one of the most reliable and high-quality PP-R systems on the market. It is ideal for transporting both hot and cold water in a variety of building systems as well as industrial and marine applications. The system features high temperature and pressure resistance while being hygienically safe and eligible for use in drinking water supply systems. Thanks to its chemical resistance behavior, the system is also a great choice for transferring or discharging chemical media.

#### Application

- Central heating systems
- Hot and cold water systems
- Drinking water and treated water supply systems
- Industrial Piping Systems (Transfer and discharge of chemicals)
- Air conditioner systems
- Solar Collectors

## GF Aquasystem Transition Socket with Hexagonal Male Thread Green PP-R 63-2"

1148780



### Status

Item Available From date

2025-10-01

### Product code

Item no EAN	8698652134796
Item no GF	4302706340121
Item no GTIN	08698652134796

### Dimensions

Item Unit Height	100
Item Unit Length	105
Item Unit Weight	0,662
Item Unit Width	105
Item_UOM	pce

### Measurements

Male_thread_R	2"
Z Measurement d	82,5
Z Measurement DD	83
Z Measurement L1	28,0
Z Measurement LB	96

### Packaging

Packaging GTIN PL1	06414900143127
Packaging GTIN PL2	06414900061568

Packaging GTIN PL4	06414900153577
Packaging Height PL1	350
Packaging Height PL2	243
Packaging Height PL4	1200
Packaging Length PL1	300
Packaging Length PL2	415
Packaging Length PL4	1200
Packaging Quantity PL1	5
Packaging Quantity PL2	20
Packaging Quantity PL4	960
Packaging Type PL1	Plastic_Bag
Packaging Type PL2	Medium_Box
Packaging Type PL4	Pallet
Packaging Volume PL1	0,011025
Packaging Volume PL2	0,02541294
Packaging Volume PL4	1,44
Packaging Weight PL1	3,36
Packaging Weight PL2	13,54
Packaging Weight PL4	674,92
Packaging Width PL1	105
Packaging Width PL2	252
Packaging Width PL4	1000

## Technical documents

Download documents here 

### Uponor UK

Blackmor Lane The Pavillion  
WD18 8GA, Watford  
UK

T +44 (0)1923 381212

E  
customerservice.uk.bfs@georgfi  
scher.com