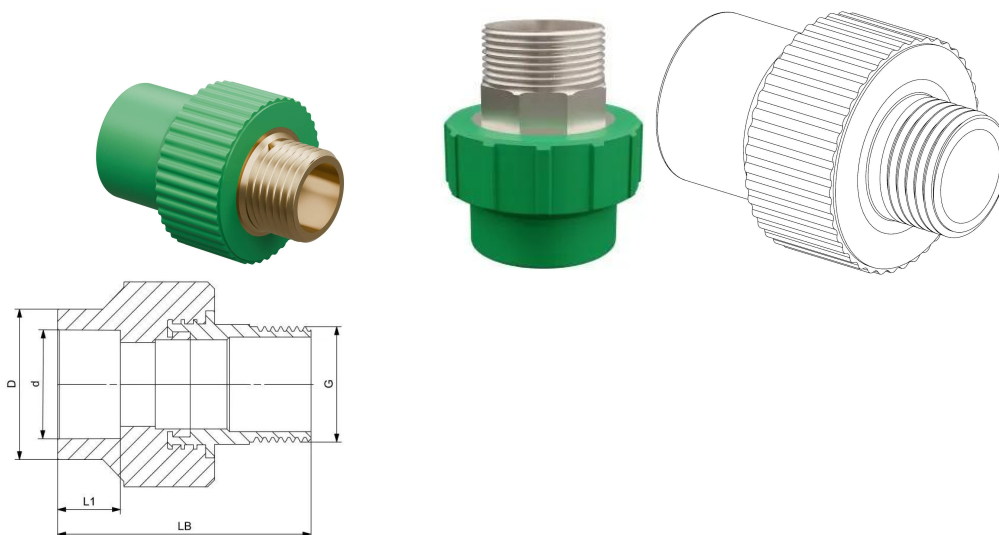


## GF Aquasystem Transition Socket hexagonal male thread PPR green 110mm 4"

1148797

- PP-R Green material



### About GF Aquasystem Transition Socket hexagonal male thread PPR Green

#### Specification

- AQUASYSTEM is one of the most reliable and high-quality PP-R systems on the market. It is ideal for transporting both hot and cold water in a variety of building systems as well as industrial and marine applications. The system features high temperature and pressure resistance while being hygienically safe and eligible for use in drinking water supply systems. Thanks to its chemical resistance behavior, the system is also a great choice for transferring or discharging chemical media.

#### Application

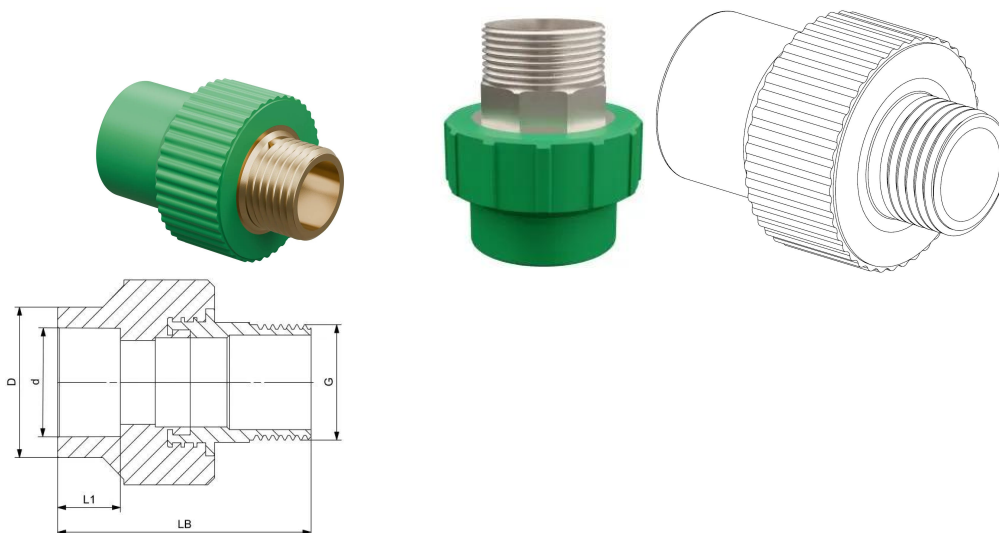
- Central heating systems
- Hot and cold water systems
- Drinking water and treated water supply systems
- Industrial Piping Systems (Transfer and discharge of chemicals)
- Air conditioner systems
- Solar Collectors

#### Certification

- WRAS Material approval (BS6920)

## GF Aquasystem Transition Socket hexagonal male thread PPR green 110mm 4"

1148797



### Status

Item Available From date

2025-10-01

### Product code

Item no EAN	8698652140667
Item no GF	4302711027821
Item no GTIN	08698652140667

### Dimensions

Item Unit Height	130
Item Unit Length	165
Item Unit Weight	2,12
Item Unit Width	165
Item_UOM	pce

### Packaging

Packaging GTIN PL1	06414900143486
Packaging GTIN PL2	06414900054041
Packaging GTIN PL4	06414900153690
Packaging Height PL1	350
Packaging Height PL2	243
Packaging Height PL4	1200
Packaging Length PL1	300
Packaging Length PL2	415

Packaging Length PL4	1200
Packaging Quantity PL1	1
Packaging Quantity PL2	4
Packaging Quantity PL4	192
Packaging Type PL1	Plastic_Bag
Packaging Type PL2	Medium_Box
Packaging Type PL4	Pallet
Packaging Volume PL1	0,017325
Packaging Volume PL2	0,02541294
Packaging Volume PL4	1,44
Packaging Weight PL1	2,12
Packaging Weight PL2	8,48
Packaging Weight PL4	432,04
Packaging Width PL1	165
Packaging Width PL2	252
Packaging Width PL4	1000

## Technical documents

Download documents here 

### Uponor UK

Blackmor Lane The Pavilion  
 WD18 8GA, Watford  
 UK

T +44 (0)1923 927000  
 E enquiries.uk@uponor.com

[www.uponor.com/en-gb](http://www.uponor.com/en-gb)