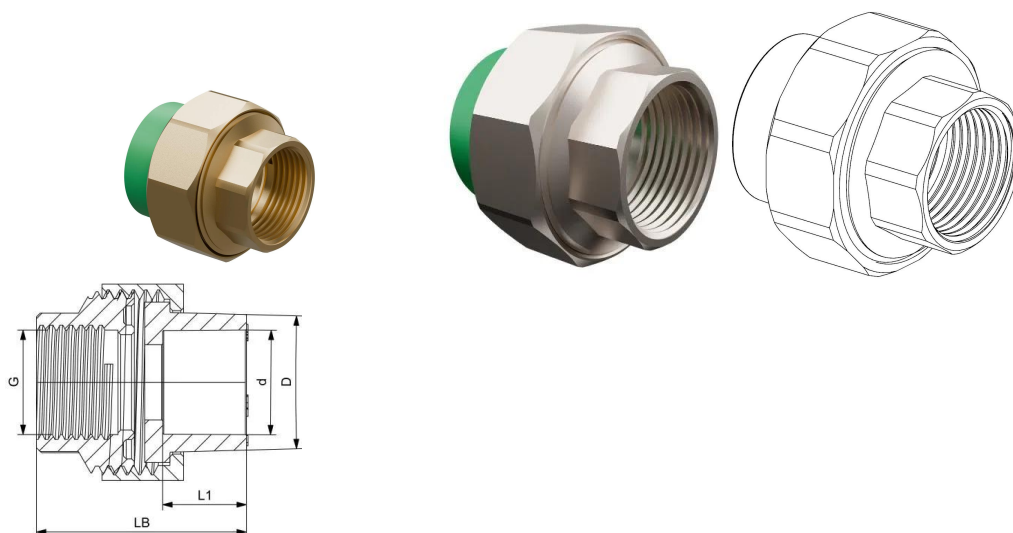


GF Aquasystem Transition Joint hexagonal female thread PPR green 20-3/4"

1148851

- PP-R Green material



About GF Aquasystem Transition Joint hexagonal female thread PPR green

Specification

- AQUASYSTEM is one of the most reliable and high-quality PP-R systems on the market. It is ideal for transporting both hot and cold water in a variety of building systems as well as industrial and marine applications. The system features high temperature and pressure resistance while being hygienically safe and eligible for use in drinking water supply systems. Thanks to its chemical resistance behavior, the system is also a great choice for transferring or discharging chemical media.

Application

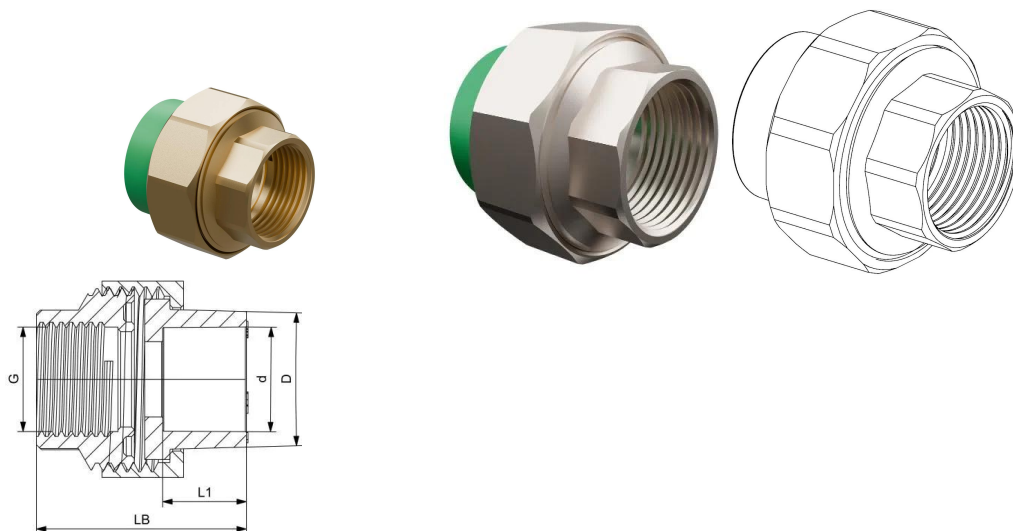
- Central heating systems
- Hot and cold water systems
- Drinking water and treated water supply systems
- Industrial Piping Systems (Transfer and discharge of chemicals)
- Air conditioner systems
- Solar Collectors

Certification

- WRAS Material approval (BS6920)

GF Aquasystem Transition Joint hexagonal female thread PPR green 20-3/4"

1148851



Status

Item Available From date

2025-10-01

Product code

Item no EAN	8698652135083
Item no GF	4302902030321
Item no GTIN	08698652135083

Dimensions

Item Unit Height	40
Item Unit Length	36
Item Unit Weight	0,158
Item Unit Width	36
Item_UOM	pce

Packaging

Packaging GTIN PL1	06414900144551
Packaging GTIN PL2	06414900054188
Packaging Height PL1	350
Packaging Height PL2	243
Packaging Length PL1	300
Packaging Length PL2	415
Packaging Quantity PL1	50
Packaging Quantity PL2	150

Packaging Type PL1	Plastic_Bag
Packaging Type PL2	Medium_Box
Packaging Volume PL1	0,00378
Packaging Volume PL2	0,02541294
Packaging Weight PL1	7,9
Packaging Weight PL2	23,7
Packaging Width PL1	36
Packaging Width PL2	252

Technical documents

Download documents here 

Uponor UK

Blackmor Lane The Pavilion
WD18 8GA, Watford
UK

T +44 (0)1923 927000
E enquiries.uk@uponor.com

www.uponor.com/en-gb