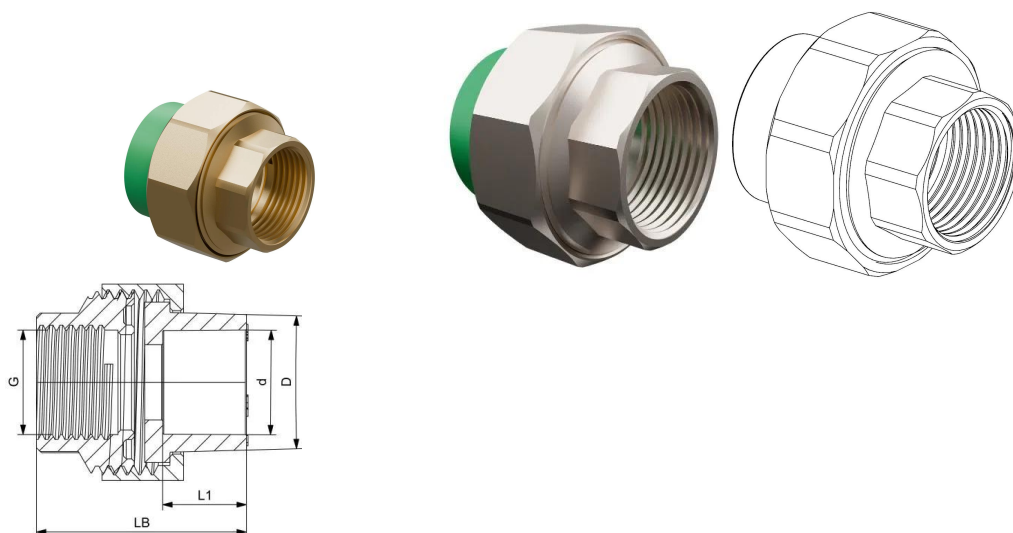


GF Aquasystem Transition Joint hexagonal female thread PPR green 40mm 1 1/4"

1148912

- PP-R Green material



About GF Aquasystem Transition Joint hexagonal female thread PPR green

Specification

- AQUASYSTEM is one of the most reliable and high-quality PP-R systems on the market. It is ideal for transporting both hot and cold water in a variety of building systems as well as industrial and marine applications. The system features high temperature and pressure resistance while being hygienically safe and eligible for use in drinking water supply systems. Thanks to its chemical resistance behavior, the system is also a great choice for transferring or discharging chemical media.

Application

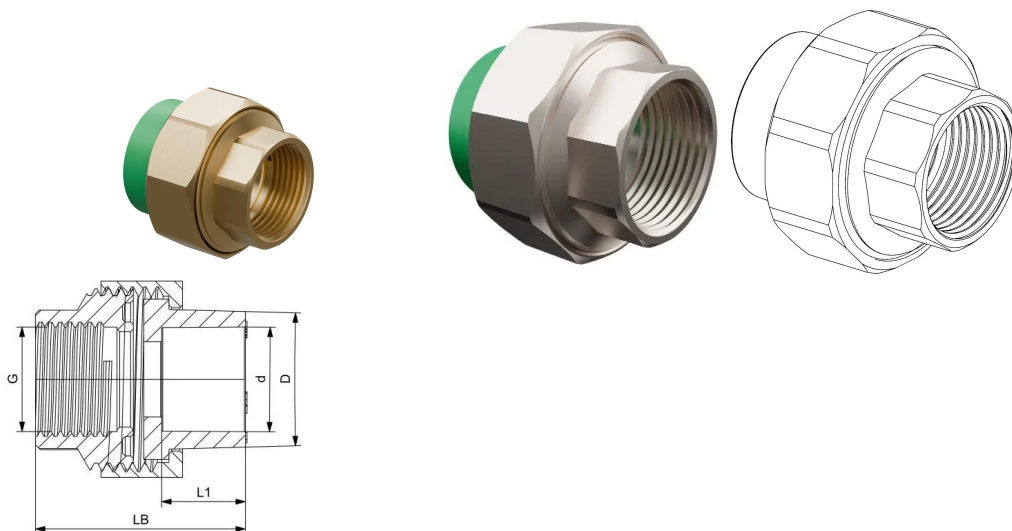
- Central heating systems
- Hot and cold water systems
- Drinking water and treated water supply systems
- Industrial Piping Systems (Transfer and discharge of chemicals)
- Air conditioner systems
- Solar Collectors

Certification

- WRAS Material approval (BS6920)

GF Aquasystem Transition Joint hexagonal female thread PPR green 40mm 1 1/4"

1148912



Status

Item Available From date

2025-10-01

Product code

Item no EAN	8698652144344
Item no GF	4302904030021
Item no GTIN	08698652144344

Dimensions

Item Unit Height	40
Item Unit Length	65
Item Unit Weight	0,317
Item Unit Width	65
Item_UOM	pce

Technical data

Recycling Text Block PL1	plastic film / film plastico
Recycling Text Block PL2	corrugated cardboard / cartone
Recycling Text Block PL4	wooden pallet / pallet di legno

Packaging

Packaging GTIN PL1	06414900145749
Packaging GTIN PL2	06414900277013
Packaging GTIN PL4	06414900277020
Packaging Height PL1	200

Packaging Height PL2	243
Packaging Height PL4	1300
Packaging Length PL1	300
Packaging Length PL2	415
Packaging Length PL4	1100
Packaging Material (number) PL1	04
Packaging Material (number) PL2	20
Packaging Material (number) PL4	51
Packaging Material PL1	plastic film / film plastico
Packaging Material PL2	corrugated cardboard / cartone
Packaging Material PL4	wooden pallet / pallet di legno
Packaging Material (short) PL1	PELD
Packaging Material (short) PL2	PAP_C
Packaging Material (short) PL4	WOOD
Packaging Quantity PL1	10
Packaging Quantity PL2	50
Packaging Quantity PL4	2400
Packaging Type PL1	POUCH
Packaging Type PL2	MEDIUM_BOX
Packaging Type PL4	PALLET
Packaging Volume PL1	0,021
Packaging Volume PL2	0,02541294
Packaging Volume PL4	1,859
Packaging Weight PL1	3,185
Packaging Weight PL2	16,405
Packaging Weight PL4	809,44
Packaging Width PL1	350
Packaging Width PL2	252
Packaging Width PL4	1300

Technical documents

Download documents here

Uponor UK

Blackmor Lane The Pavilion
WD18 8GA, Watford
UK

T +44 (0)1923 927000
E enquiries.uk@uponor.com

www.uponor.com/en-gb