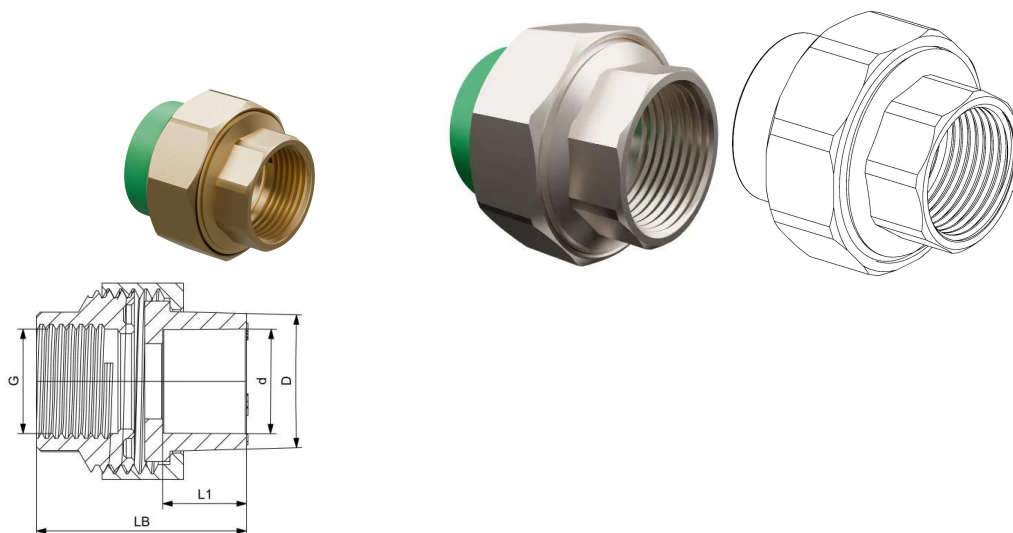


## GF Aquasystem Transition Joint with Hexagonal Female Thread Green PP-R R 50mm 1 1/2"

**1148928**

- Material: PP-R
- Color: Green
- Connection: Socket fusion



### About GF Aquasystem Transition Joint with Hexagonal Female Thread Green PP-R

#### Specification

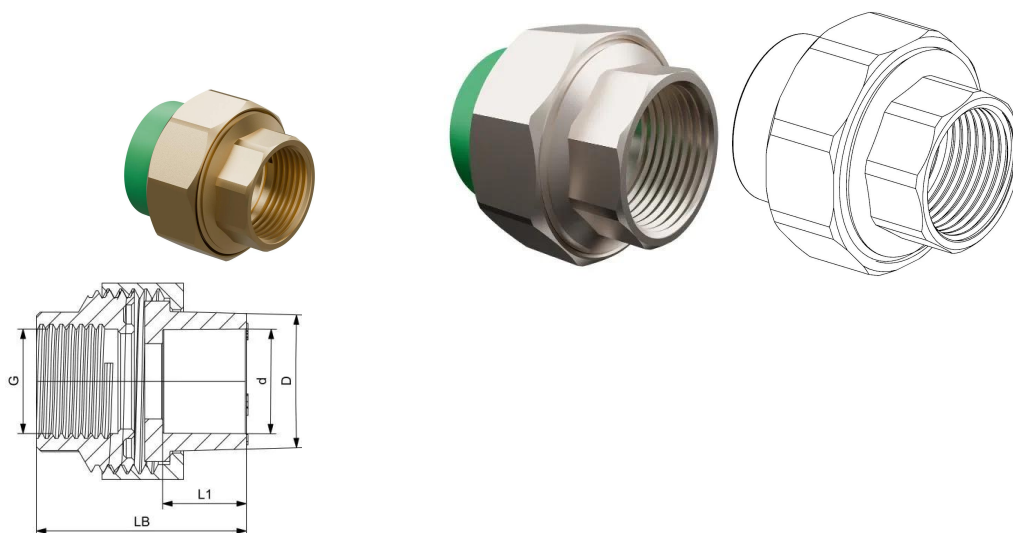
- AQUASYSTEM is one of the most reliable and high-quality PP-R systems on the market. It is ideal for transporting both hot and cold water in a variety of building systems as well as industrial and marine applications. The system features high temperature and pressure resistance while being hygienically safe and eligible for use in drinking water supply systems. Thanks to its chemical resistance behavior, the system is also a great choice for transferring or discharging chemical media.

#### Application

- Central heating systems
- Hot and cold water systems
- Drinking water and treated water supply systems
- Industrial Piping Systems (Transfer and discharge of chemicals)
- Air conditioner systems
- Solar Collectors

## GF Aquasystem Transition Joint with Hexagonal Female Thread Green PP-R 50mm 1 1/2"

1148928



### Measurements

Female thread Rp	1 1/2"
Z Measurement d	57,9
Z Measurement L1	24,0

### Status

Item Available From date	2025-10-01
--------------------------	------------

### Product code

Item no EAN	8698652144429
Item no GF	4302905030021
Item no GTIN	08698652144429

### Dimensions

Item Unit Height	60
Item Unit Length	80
Item Unit Weight	0,567
Item Unit Width	80
Item_UOM	pce

### Packaging

Packaging GTIN PL1	06414900146029
Packaging GTIN PL2	06414900276931
Packaging GTIN PL4	06414900276948
Packaging Height PL1	200

Packaging Height PL2	243
Packaging Height PL4	1300
Packaging Length PL1	300
Packaging Length PL2	415
Packaging Length PL4	1100
Packaging Material (number) PL1	04
Packaging Material (number) PL2	20
Packaging Material (number) PL4	51
Packaging Material PL1	plastic film / film plastico
Packaging Material PL2	corrugated cardboard / cartone
Packaging Material PL4	wooden pallet / pallet di legno
Packaging Material (short) PL1	PELD
Packaging Material (short) PL2	PAP_C
Packaging Material (short) PL4	WOOD
Packaging Quantity PL1	5
Packaging Quantity PL2	30
Packaging Quantity PL4	1440
Packaging Type PL1	Pouch
Packaging Type PL2	Medium_Box
Packaging Type PL4	Pallet
Packaging Volume PL1	0,021
Packaging Volume PL2	0,02541294
Packaging Volume PL4	1,8590000000000002
Packaging Weight PL1	2,85
Packaging Weight PL2	17,580
Packaging Weight PL4	865,840
Packaging Width PL1	350
Packaging Width PL2	252
Packaging Width PL4	1300

## Technical data

Recycling Text Block PL1	plastic film / film plastico
Recycling Text Block PL2	corrugated cardboard / cartone
Recycling Text Block PL4	wooden pallet / pallet di legno

## Technical documents

Download documents here

T +44 (0)1923 381212  
E  
customerservice.uk.bfs@georgfi  
scher.com