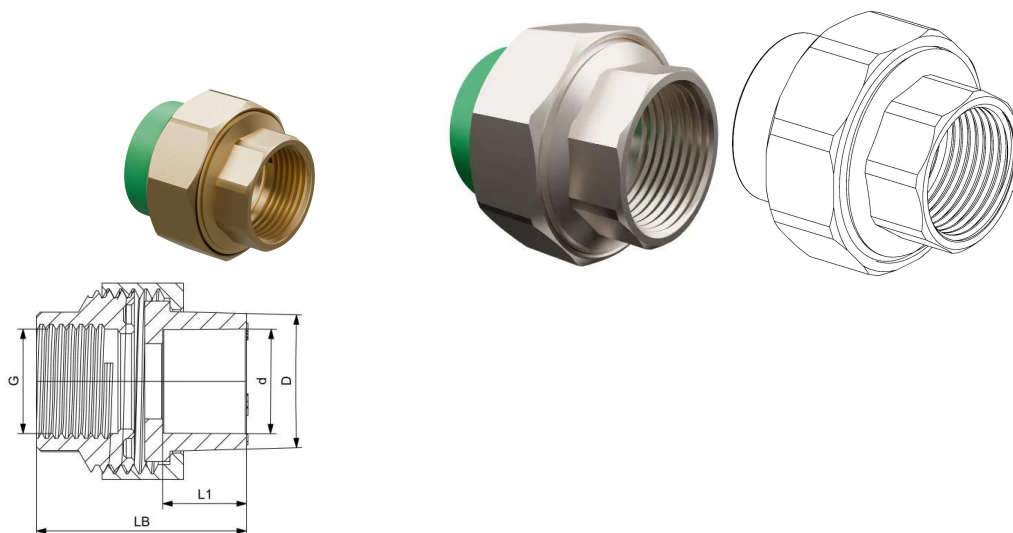


GF Aquasystem Transition Joint with Hexagonal Female Thread Green PP-R 63mm 2"

1148944

- Material: PP-R
- Color: Green
- Connection: Socket fusion



About GF Aquasystem Transition Joint with Hexagonal Female Thread Green PP-R

Specification

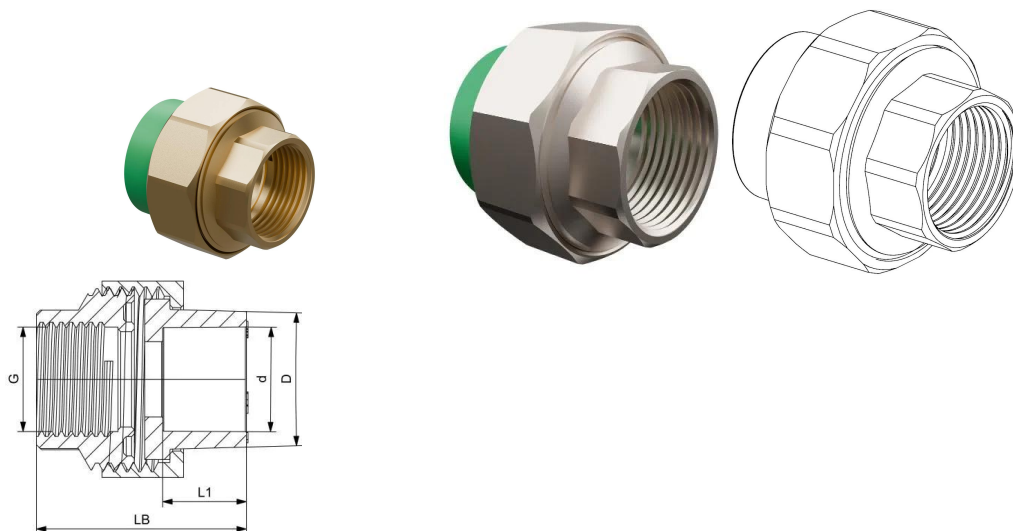
- AQUASYSTEM is one of the most reliable and high-quality PP-R systems on the market. It is ideal for transporting both hot and cold water in a variety of building systems as well as industrial and marine applications. The system features high temperature and pressure resistance while being hygienically safe and eligible for use in drinking water supply systems. Thanks to its chemical resistance behavior, the system is also a great choice for transferring or discharging chemical media.

Application

- Central heating systems
- Hot and cold water systems
- Drinking water and treated water supply systems
- Industrial Piping Systems (Transfer and discharge of chemicals)
- Air conditioner systems
- Solar Collectors

GF Aquasystem Transition Joint with Hexagonal Female Thread Green PP-R 63mm 2"

1148944



Measurements

Female thread Rp	2
Z Measurement d	73,6
Z Measurement DD	73
Z Measurement L1	27,5
Z Measurement LB	66

Status

Item Available From date	2025-10-01
--------------------------	------------

Product code

Item no EAN	8698652144481
Item no GF	4302906330021
Item no GTIN	08698652144481

Dimensions

Item Unit Height	65
Item Unit Length	100
Item Unit Weight	0,807
Item Unit Width	100
Item_UOM	pce

Packaging

Packaging GTIN PL1	06414900204095
Packaging GTIN PL2	06414900054331

Packaging GTIN PL4	06414900211796
Packaging Height PL1	350
Packaging Height PL2	415
Packaging Height PL4	1200
Packaging Length PL1	300
Packaging Length PL2	415
Packaging Length PL4	1200
Packaging Quantity PL1	2
Packaging Quantity PL2	20
Packaging Quantity PL4	960
Packaging Type PL1	Plastic_Bag
Packaging Type PL2	Medium_Box
Packaging Type PL4	Pallet
Packaging Volume PL1	0,0105
Packaging Volume PL2	0,103335
Packaging Volume PL4	1,44
Packaging Weight PL1	1,624
Packaging Weight PL2	16,34
Packaging Weight PL4	799,72
Packaging Width PL1	100
Packaging Width PL2	600
Packaging Width PL4	1000

Technical documents

Download documents here 

Uponor UK

Blackmor Lane The Pavillion
WD18 8GA, Watford
UK

T +44 (0)1923 381212

E
customerservice.uk.bfs@georgfi
scher.com