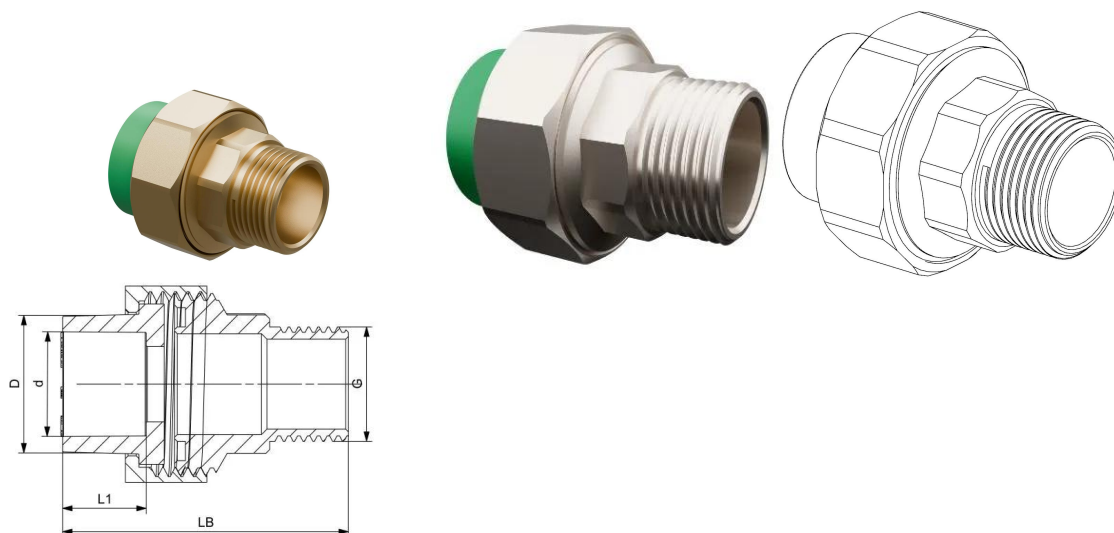


## GF Aquasystem Transition Joint with Hexagonal Male Thread Green PP-R 63mm 2" R

**1148945**

- Material: PP-R
- Color: Green
- Connection: Socket fusion



### About GF Aquasystem Transition Joint with Hexagonal Male Thread Green PP-R

#### Specification

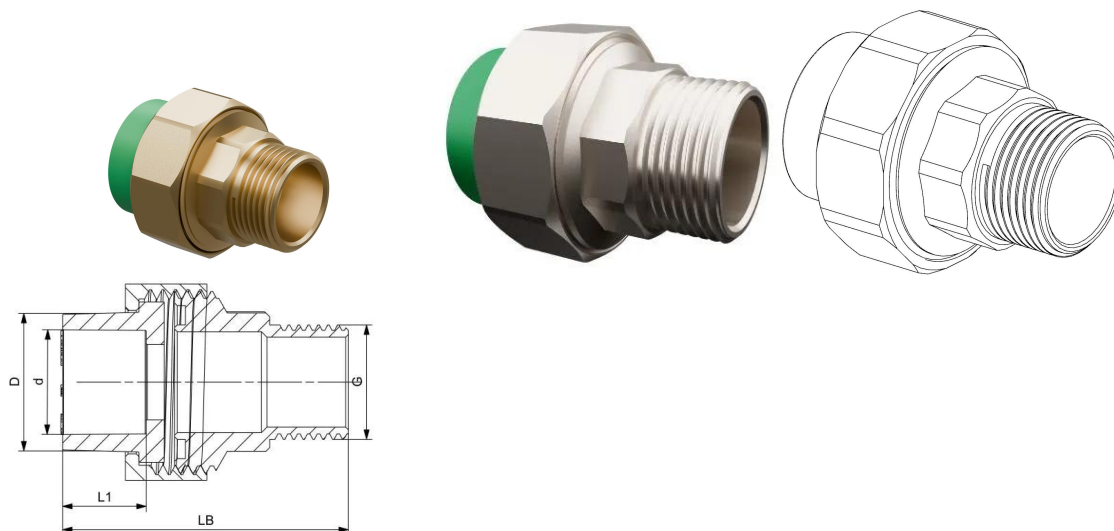
- AQUASYSTEM is one of the most reliable and high-quality PP-R systems on the market. It is ideal for transporting both hot and cold water in a variety of building systems as well as industrial and marine applications. The system features high temperature and pressure resistance while being hygienically safe and eligible for use in drinking water supply systems. Thanks to its chemical resistance behavior, the system is also a great choice for transferring or discharging chemical media.

#### Application

- Central heating systems
- Hot and cold water systems
- Drinking water and treated water supply systems
- Industrial Piping Systems (Transfer and discharge of chemicals)
- Air conditioner systems
- Solar Collectors

## GF Aquasystem Transition Joint with Hexagonal Male Thread Green PP-R 63mm 2" R

1148945



### Product code

Item no EAN	8698652144498
Item no GF	4302906330121
Item no GTIN	08698652144498

### Dimensions

Item Unit Height	83
Item Unit Length	100
Item Unit Weight	0,887
Item Unit Width	100
Item_UOM	pce

### Measurements

Male_thread_R	2
Z Measurement d	73,6
Z Measurement DD	73
Z Measurement L1	27,5
Z Measurement LB	82

### Packaging

Packaging GTIN PL1	06414900204125
Packaging GTIN PL2	06414900276856
Packaging GTIN PL4	06414900276863
Packaging Height PL1	350

Packaging Height PL2	243
Packaging Height PL4	1200
Packaging Length PL1	300
Packaging Length PL2	415
Packaging Length PL4	1200
Packaging Quantity PL1	2
Packaging Quantity PL2	20
Packaging Quantity PL4	960
Packaging Type PL1	Plastic_Bag
Packaging Type PL2	Medium_Box
Packaging Type PL4	Pallet
Packaging Volume PL1	0,0105
Packaging Volume PL2	0,02541294
Packaging Volume PL4	1,44
Packaging Weight PL1	1,824
Packaging Weight PL2	18,34
Packaging Weight PL4	905,32
Packaging Width PL1	100
Packaging Width PL2	252
Packaging Width PL4	1000

## Technical documents

Download documents here 

### Uponor UK

Blackmor Lane The Pavillion  
 WD18 8GA, Watford  
 UK

T +44 (0)1923 381212

E  
 customerservice.uk.bfs@georgfi  
 scher.com