

Plastic foam staples

Project information

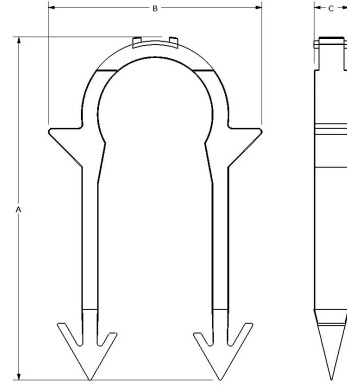
Job name:	Location:
Engineer:	Date submitted:
Contractor:	Submitted by:
Manufacturer's representative:	Approved by:

Technical data

Material Plastic

Product information and application use

Use Plastic Foam Staples with Manual Foam Stapler (E6025075) to secure $\frac{3}{8}$ ", $\frac{1}{2}$ " and $\frac{5}{8}$ " Uponor PEX to rigid foam insulation.



Part name	Part no.	A [Inch]	B [Inch]	C [Inch]	Weight per UOM [lbs/UOM]
1 1/2" Plastic Foam Staples, 300/pkg.	A7015050	1.667	1.424	0.232	0
2 1/2" Plastic Foam Staples, 300/pkg.	A7015075	2.287	1.424	0.232	0

Part name	Part no.	Codes	Standards	Listings
Plastic foam staples	All	-	-	-

Installation

Use 1 1/2" Plastic Foam Staples (A7015050) for 1" foam; use 2 1/2" Plastic Foam Staples (A7015075) for 1 1/2" or thicker foam. Refer to the Uponor Radiant Floor Heating Installation Handbook for more information.

Related applications

- Radiant Heating and Cooling Systems
- Permafrost Protection Systems
- Turf Conditioning Systems

Footnotes

-

Contact information

Uponor Inc.
5925 148th Street West
Apple Valley, MN 55124
T 800.321.4739
F 952.891.2008

Uponor Ltd.
6510 Kennedy Road
Mississauga, ON L5T 2X4
T 888.594.7726
F 800.638.9517