

ProPEX lead-free (LF) brass flange adapter kits

Project Information

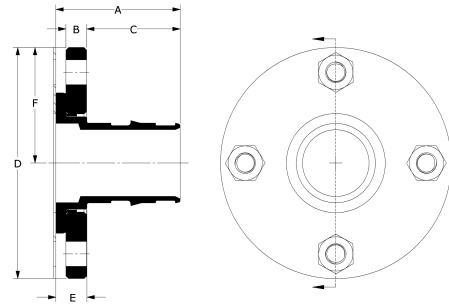
Job name:	Location:
Engineer:	Date submitted:
Contractor:	Submitted by:
Manufacturer's representative:	Approved by:

Technical data

Material	LF Brass
Temp/pressure ratings	73 °F (23 °C) at 160 psi (11 bar) 180 °F (82 °C) at 100 psi (6.9 bar) 200 °F (93 °C) at 80 psi (5.5 bar)
Prop 65 label required?	Yes

Product information and application use

ProPEX® Lead-free (LF) Brass Flange Adapter Kit connects Uponor PEX tubing to any compatible flange. Flanges conform to ANSI 16.5 150 Standard, are powder coated with an EPDM insulator adhered to the plate steel flange protruding inside of the steel flange to prevent contact with the LF brass flange adapter.



Part name	Part no.	A [inch]	B [inch]	C [inch]	D [inch]	E [inch]	F [inch]	Cv	Weight per UOM [lbs/UOM]	Equivalent length through [ft]	End Type 1
ProPEX LF Brass Flange Adapter Kit, 2 1/2" PEX (150 lb.)	LF2982525	3.77	0.63	2.837	7	0.933	3.5	131.5	9.2	7.6	ProPEX 2-1/2"
ProPEX LF Brass Flange Adapter Kit, 3" PEX (150 lb.)	LF2983030	4.32	0.63	3.387	7.5	0.933	3.75	311	10.8	2.2	ProPEX 3"

Part name	Part no.	End Type 2
ProPEX LF Brass Flange Adapter Kit, 2 1/2" PEX (150 lb.)	LF2982525	Flange 2-1/2"
ProPEX LF Brass Flange Adapter Kit, 3" PEX (150 lb.)	LF2983030	Flange 3"

Installation

ProPEX Expansion Tool and ProPEX Rings (sold separately) are required for connecting the PEX tubing. Refer to the Uponor AquaPEX® Professional Plumbing Installation Guide or Uponor Hydronic Piping Design Assistance Manual for additional information.

Related applications

- PEX-a Plumbing Systems
- Hydronic Radiant Heating and Cooling Systems
- Snow Melting Systems
- Turf Conditioning Systems
- Permafrost Prevention Systems

Codes Standards Listings

UPC IBC IRC IPC NPC of Canada UMC NSPC IMC	NSF-372 ASTM F877 ASTM F1960 CSA B137.5 NSF-61 NSF-14	HUD MR 1269 APMO-ES ICC-ES-PMG cNSFus-pw-G U.P.Code
--	---	---

Footnotes Contact information

-	<p>Uponor Inc. 5925 148th Street West Apple Valley, MN 55124 T 800.321.4739 F 952.891.2008</p>	<p>Uponor Ltd. 6510 Kennedy Road Mississauga, ON L5T 2X4 T 888.594.7726 F 800.638.9517</p>
---	--	--