

# TotalFit elbows

## Project Information

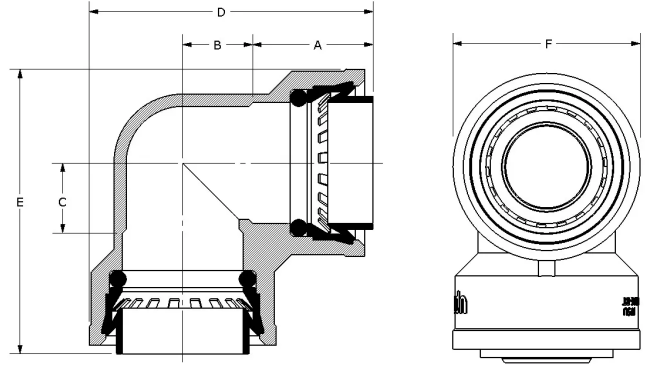
Job name:	Location:
Engineer:	Date submitted:
Contractor:	Submitted by:
Manufacturer's representative:	Approved by:

## Technical data

Material	Engineered Polymer
Temp/pressure ratings	73 °F (23 °C) at 160 psi (11 bar) 180 °F (82 °C) at 100 psi (6.9 bar) 200 °F (93 °C) at 80 psi (5.5 bar)
Prop 65 label required?	No

## Product information and application use

TotalFit™ is the professional-grade engineered polymer (EP) push-to-connect solution that provides greater value for residential projects with the same versatility and speed as brass push-to-connect fittings for PEX, PE-RT, CPVC, and copper piping systems.



Part name	Part no.	A [inch]	B [inch]	C [inch]	D [inch]	E [inch]	F [inch]	End Type 1	End Type 2	Weight per UOM [lbs/UOM]
TotalFit Elbow, 1/2" x 1/2"	TF4760500	0.913	0.37	0.368	1.848	1.846	1.13	TotalFit 1/2"	TotalFit 1/2"	0.05
TotalFit Elbow, 3/4" x 3/4"	TF4760750	1.067	0.492	0.492	2.287	2.287	1.457	TotalFit 3/4"	TotalFit 3/4"	0.09
TotalFit Elbow, 1" x 1"	TF4761000	1.134	0.657	0.657	2.671	2.671	1.76	TotalFit 1"	TotalFit 1"	0.13

Part name	Part no.	Codes	Standards	Listings
TotalFit elbows	All	UPC IRC IPC NPC of Canada UMC CMC CPC IMC	NSF-372 ASTM F877 NSF-61 NSF-14 ASSE 1061	K-13573 K-13571 K-13572

Installation	Related applications
Install on PEX, PE-RT, CPVC, and copper piping systems. Use deburr and depth tool to remove excess material or burrs and mark the appropriate depth on pipe. If using flexible PEX or PE-RT, install the insert inside the pipe first before making the connection. Refer to the Uponor TotalFit Instruction Sheet for additional information.	Plumbing Hydronic Heating & Cooling

Footnotes	Contact information
-	<p>Uponor Inc. 5925 148th Street West Apple Valley, MN 55124 T 800.321.4739 F 952.891.2008</p> <p>Uponor Ltd. 6510 Kennedy Road Mississauga, ON L5T 2X4 T 888.594.7726 F 800.638.9517</p>