

565 Butterfly Valve Gear Wafer

Project Information

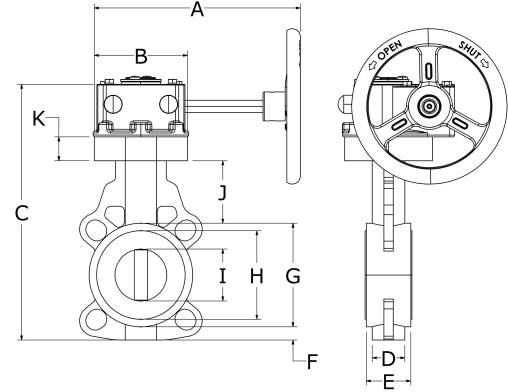
Job name:	Location:
Engineer:	Date submitted:
Contractor:	Submitted by:
Manufacturer's representative:	Approved by:

Technical data

Material Engineered Polymer
 Prop 65 label required? Yes

Product Information and application use

Use 565 Gear Wafer Butterfly Valves in Schedule 80 CPVC piping systems for isolation in domestic water, hydronic hot-water heating, or chilled water applications.



Part name	Part no.	A [mm]	B [mm]	C [mm]	D [mm]	E [mm]	F [mm]	G [mm]	H [mm]	I [mm]	J [mm]
2" 565 Gear Wafer Butterfly Valve with EPDM Seal	150565200	198.95	90.00	246.80	31.50	43.00	12.70	100.00	85.50	50.10	60.30
2-1/2" 565 Gear Wafer Butterfly Valve with EPDM Seal	150565201	198.95	90.00	272.68	31.50	46.00	21.48	121.00	105.50	62.10	56.40
3" 565 Gear Wafer Butterfly Valve with EPDM Seal	150565202	198.95	90.00	285.31	31.50	46.00	19.91	138.00	122.50	77.10	53.60
4" 565 Gear Wafer Butterfly Valve with EPDM Seal	150565203	198.95	90.00	321.20	38.50	52.00	24.75	158.50	142.50	97.10	64.15
5" 565 Gear Wafer Butterfly Valve with EPDM Seal	150565204	198.95	90.00	348.63	38.50	56.00	24.33	187.00	169.50	122.10	63.50
6" 565 Gear Wafer Butterfly Valve with EPDM Seal	150565205	198.95	90.00	369.83	43.00	56.00	23.53	213.00	194.50	146.60	59.50
8" 565 Gear Wafer Butterfly Valve with EPDM Seal	150565206	198.95	90.00	419.30	43.00	60.00	25.70	266.60	248.00	199.00	53.20
10" 565 Gear Wafer Butterfly Valve with EPDM Seal	150565207	211.31	125.00	516.47	55.50	68.00	32.75	325.50	304.00	246.60	76.75
12" 565 Gear Wafer Butterfly Valve with EPDM Seal	150565208	211.27	125.00	573.01	57.50	78.00	40.24	380.00	358.00	294.60	71.30

Part name	Part no.	K [mm]	End Type 1	Weight per UOM [kg/UOM]
2" 565 Gear Wafer Butterfly Valve with EPDM Seal	150565200	23.00	WAFER 2"	2.353
2-1/2" 565 Gear Wafer Butterfly Valve with EPDM Seal	150565201	23.00	WAFER 2-1/2"	2.587
3" 565 Gear Wafer Butterfly Valve with EPDM Seal	150565202	23.00	WAFER 3"	2.757
4" 565 Gear Wafer Butterfly Valve with EPDM Seal	150565203	23.00	WAFER 4"	3.556
5" 565 Gear Wafer Butterfly Valve with EPDM Seal	150565204	23.00	WAFER 5"	4.125
6" 565 Gear Wafer Butterfly Valve with EPDM Seal	150565205	23.00	WAFER 6"	5.057
8" 565 Gear Wafer Butterfly Valve with EPDM Seal	150565206	23.00	WAFER 8"	6.304
10" 565 Gear Wafer Butterfly Valve with EPDM Seal	150565207	23.00	WAFER 10"	10.137
12" 565 Gear Wafer Butterfly Valve with EPDM Seal	150565208	23.00	WAFER 12"	13.914

Part name	Part no.	Codes	Standards	Listings
565 Butterfly Valve Gear Wafer	All	UPC IMC IPC IBC IRC UMC NSPC	NSF/ANSI/CAN 61 NSF/ANSI/CAN 372 ISO 9393-2 EN 12266-1 EN ISO 16136 ISO 7005 PN10/16 EN 1092 PN10/16 DIN 2501 PN10/16 BS 4504 PN10/16 BS 1560: 1989 Class 125/150 JIS B2220 10K JIS B2239 10K ANSI/ASME	NSF-61-372

Installation

Ensure pipes are aligned and flanges are clean. Provide sufficient distance between flange ends and properly place the valve, aligning the bolt holes with the flanges. Position the valve disc slightly open (5 to 10 degrees) to avoid obstructions. Ensure the disc can open and close completely. Tighten the flange screws crosswise to the specified tightening torque. If using stainless-steel screws, pretreat thread with suitable assembly paste. Perform a functional test by closing the valve completely and opening it again.

Related applications

Domestic Water
Hydronic Piping

Footnotes

-

Contact information

Uponor Inc.
5925 148th Street West
Apple Valley, MN 55124
T 800.321.4739
F 952.891.2008

Uponor Ltd.
6510 Kennedy Road
Mississauga, ON L5T 2X4
T 888.594.7726
F 800.638.9517