

# Uponor PP-RCT brass unions (socket fusion)

## Project Information

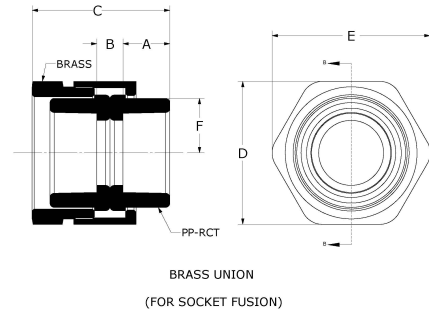
Job name :	Location :
Engineer :	Date submitted:
Contractor :	Submitted by:
Manufacturer's representative :	Approved by :

## Technical data

Material	PP-RCT
Temp/pressure ratings	73 °F (23 °C) at 340 psi (23.44 bar) 140 °F (60 °C) at 190 psi (13.1 bar) 180 °F (82 °C) at 100 psi (6.9 bar)

## Product Information and application use

Use Uponor PP-RCT brass unions with Uponor PP-RCT mechanical pipe to convey water for hydronic heating and cooling or industrial applications.



Part name	Part no.	A [Inch]	B [Inch]	C [Inch]	D [Inch]	E [Inch]	F [Inch]	Weight per UOM [lbs/UOM]	End Type 1	End Type 2	Prop 65 label required?
Uponor PP-RCT Brass Union, 1/2	PR4720500	0.571	0.433	1.811	1.474	1.609	0.524	0.36	Socket 1/2"	Socket 1/2"	-
Uponor PP-RCT Brass Union, 3/4	PR4720750	0.63	0.394	1.969	1.772	1.973	0.644	0.52	Socket 3/4"	Socket 3/4"	-
Uponor PP-RCT Brass Union, 1	PR4721000	0.709	0.394	2.087	2.205	2.447	0.825	0.78	Socket 1"	Socket 1"	-
Uponor PP-RCT Brass Union, 1 1/4	PR4721250	0.807	0.394	2.283	2.756	3.061	1.024	1.37	Socket 1-1/4"	Socket 1-1/4"	-
Uponor PP-RCT Brass Union, 1 1/2	PR4721500	0.925	0.394	2.5	3.346	3.742	1.297	2.01	Socket 1-1/2"	Socket 1-1/2"	-
Uponor PP-RCT Brass Union, 2	PR4722000	1.102	0.402	2.811	4.134	4.65	1.652	3.29	Socket 2"	Socket 2"	-

## Installation

Use approved socket-fusion connection methods. Refer to the Uponor PP-RCT manual for complete details.

## Related applications

Hydronic heating and cooling systems  
Industrial

## Codes

CMC|IMC|UMC

## Standards

ASTM E84|NSF-14|ASTM F2389|CSA B137.11

## Listings

ICC-ES-PMG 1106|IAPMO-R&T 8358|QAI P321-5|IAPMO K-12775

## Footnotes

-

## Contact information

Uponor Inc.  
5925 148th Street West  
Apple Valley, MN 55124  
T 800.321.4739  
F 952.891.2008

Uponor Ltd.  
6510 Kennedy Road  
Mississauga, ON L5T 2X4  
T 888.594.7726  
F 800.636.9517