

Codos TotalFit

Project Information

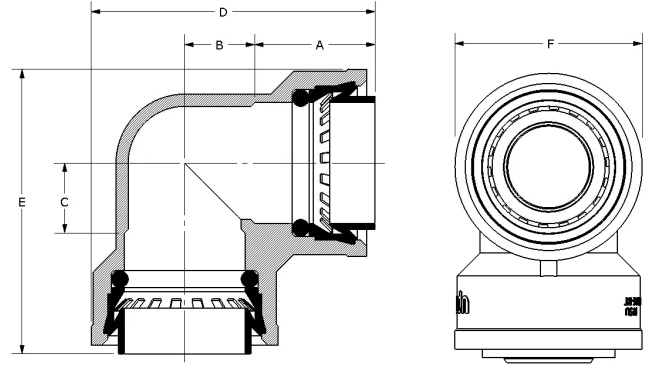
Job name:	Location:
Engineer:	Fecha de envío:
Contractor:	Presentada por:
Manufacturer's representative:	Approved by:

Technical data

Material	Engineered Polymer
Temp/pressure ratings	73 °F (23 °C) at 160 psi (11 bar) 180 °F (82 °C) at 100 psi (6.9 bar) 200 °F (93 °C) at 80 psi (5.5 bar)
Prop 65 label required?	No

Product information and application use

TotalFit™ is the professional-grade engineered polymer (EP) push-to-connect solution that provides greater value for residential projects with the same versatility and speed as brass push-to-connect fittings for PEX, PE-RT, CPVC, and copper piping systems.



Part name	Part no.	Codes	Standards	Listings
Codos TotalFit	All	UPC IRC IPC NPC of Canada UMC CMC CPC IMC	NSF-372 ASTM F877 NSF-61 NSF-14 ASSE 1061	K-13573 K-13571 K-13572

Installation Related applications

Install on PEX, PE-RT, CPVC, and copper piping systems. Use deburr and depth tool to remove excess material or burrs and mark the appropriate depth on pipe. If using flexible PEX or PE-RT, install the insert inside the pipe first before making the connection. Refer to the Uponor TotalFit Instruction Sheet for additional information.

- Plumbing
- Hydronic Heating & Cooling

Footnotes	Contact information		
-	<table border="0"> <tr> <td> <p>Uponor Inc. 5925 148th Street West Apple Valley, MN 55124 T 800.321.4739 F 952.891.2008</p> </td> <td> <p>Uponor Ltd. 6510 Kennedy Road Mississauga, ON L5T 2X4 T 888.594.7726 F 800.638.9517</p> </td> </tr> </table>	<p>Uponor Inc. 5925 148th Street West Apple Valley, MN 55124 T 800.321.4739 F 952.891.2008</p>	<p>Uponor Ltd. 6510 Kennedy Road Mississauga, ON L5T 2X4 T 888.594.7726 F 800.638.9517</p>
<p>Uponor Inc. 5925 148th Street West Apple Valley, MN 55124 T 800.321.4739 F 952.891.2008</p>	<p>Uponor Ltd. 6510 Kennedy Road Mississauga, ON L5T 2X4 T 888.594.7726 F 800.638.9517</p>		