

Codos TotalFit

Project Information

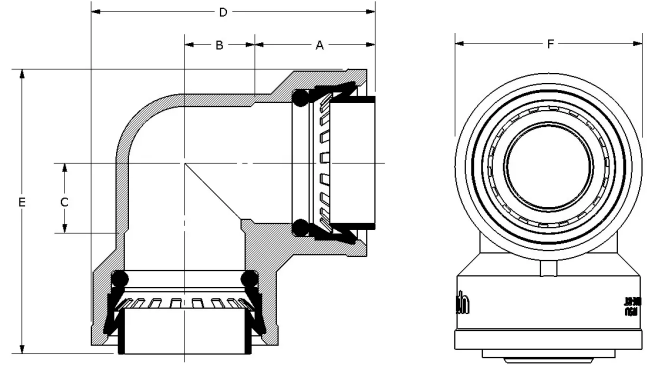
Job name:	Location:
Engineer:	Fecha de envío:
Contractor:	Presentada por:
Manufacturer's representative:	Approved by:

Technical data

Material	Engineered Polymer
Temp/pressure ratings	73 °F (23 °C) at 160 psi (11 bar) 180 °F (82 °C) at 100 psi (6.9 bar) 200 °F (93 °C) at 80 psi (5.5 bar)
Prop 65 label required?	No

Product information and application use

TotalFit™ is the professional-grade engineered polymer (EP) push-to-connect solution that provides greater value for residential projects with the same versatility and speed as brass push-to-connect fittings for PEX, PE-RT, CPVC, and copper piping systems.



Part name	Part no.	A [Inch]	B [Inch]	C [Inch]	D [Inch]	E [Inch]	F [Inch]	Weight per UOM [lbs/UOM]
TotalFit Elbow, 1/2" x 1/2	TF4760500	0.913	0.37	0.368	1.848	1.846	1.13	0.05
TotalFit Elbow, 3/4" x 3/4	TF4760750	1.067	0.492	0.492	2.287	2.287	1.457	0.09
TotalFit Elbow, 1" x 1	TF4761000	1.134	0.657	0.657	2.671	2.671	1.76	0.13

Part name	Part no.	Codes	Standards	Listings
Codos TotalFit	All	UPC IRC IPC NPC of Canada UMC CMC CPC IMC	NSF-372 ASTM F877 NSF-61 NSF-14 ASSE 1061	K-13573 K-13571 K-13572

Installation

Install on PEX, PE-RT, CPVC, and copper piping systems. Use deburr and depth tool to remove excess material or burrs and mark the appropriate depth on pipe. If using flexible PEX or PE-RT, install the insert inside the pipe first before making the connection. Refer to the Uponor TotalFit Instruction Sheet for additional information.

Related applications

- Plumbing
- Hydronic Heating & Cooling

Footnotes

Contact information

Uponor Inc.
5925 148th Street West
Apple Valley, MN 55124
T 800.321.4739
F 952.891.2008

Uponor Ltd.
6510 Kennedy Road
Mississauga, ON L5T 2X4
T 888.594.7726
F 800.638.9517