

Bridas ChlorFIT ciegas

Project Information

Job name:	Location:
Engineer:	Fecha de envío:
Contractor:	Presentada por:
Manufacturer's representative:	Approved by:

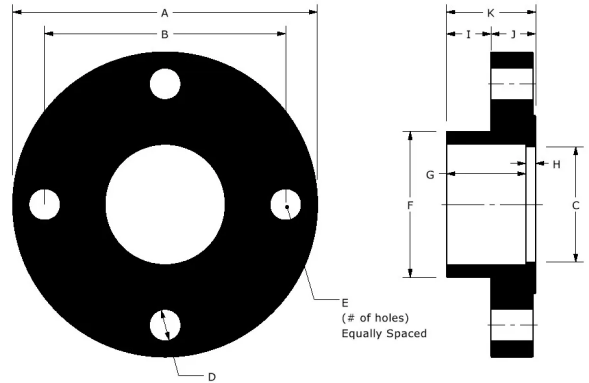
Technical data

Material	CPVC
Temp/pressure ratings	73 °F (23 °C) at 150 psi (10.3 bar)

Product Information and application use

Utilice las bridas ciegas de CPVC Corzan® ChlorFIT® Schedule 80 de Uponor en sistemas de agua potable fría y caliente, así como en aplicaciones hidráulicas de calefacción y refrigeración.

Corzan® es una marca comercial registrada de Lubrizol Advanced Materials, Inc.



Part name	Part no.	A [inch]	B [inch]	C [inch]	D [inch]	E [inch]	F [inch]	G [inch]	H [inch]	End Type 1	Weight per UOM [lbs/UOM]
1/2" CPVC80 Blind Flange	9853005	3.5	2.38	0.5	4	0.25	0.25	0.5	0.58	Flange 1/2"	0.28
3/4" CPVC80 Blind Flange	9853007	3.88	2.75	0.5	4	0.25	0.25	0.5	0.695	Flange 3/4"	0.21
1" CPVC80 Blind Flange	9853010	4.25	3.13	0.5	4	0.3	0.3	0.6	0.855	Flange 1"	0.3
1-1/4" CPVC80 Blind Flange	9853012	4.63	3.5	0.5	4	0.315	0.315	0.63	1.04	Flange 1-1/4"	0.36
1-1/2" CPVC80 Blind Flange	9853015	5	3.88	0.5	4	0.41	0.41	0.82	1.168	Flange 1-1/2"	0.47
2" CPVC80 Blind Flange	9853020	6	4.75	0.625	4	0.46	0.46	0.92	1.438	Flange 2"	0.66
2-1/2" CPVC80 Blind Flange	9853025	7	5.5	0.625	4	0.48	0.48	0.96	1.75	Flange 2-1/2"	1.02
3" CPVC80 Blind Flange	9853030	7.5	6	0.625	4	0.515	0.515	1.03	2.075	Flange 3"	1.6
4" CPVC80 Blind Flange	9853040	9	7.5	0.625	8	0.675	0.675	1.35	2.615	Flange 4"	2.34
6" CPVC80 Blind Flange	9853060	11	9.5	0.75	8	0.745	0.745	1.49	3.78	Flange 6"	3.79
8" CPVC80 Blind Flange	9853080	13.5	11.75	0.75	8	0.815	0.815	1.63	4.87	Flange 8"	6.09

Part name	Part no.	Codes	Standards	Listings
Bridas ChlorFIT ciegas	All	UPC IBC IRC IPC UMC NSPC IMC	NSF/ANSI/CAN 61 NSF/ANSI 14	ULC NSFpw-G U.P.Code
In addition, the following parts have additional codes, standards, or listings:				
1/2" CPVC80 Blind Flange	9853005			ICC-ES-PMG
3/4" CPVC80 Blind Flange	9853007			ICC-ES-PMG
1" CPVC80 Blind Flange	9853010			ICC-ES-PMG
1-1/4" CPVC80 Blind Flange	9853012			ICC-ES-PMG
1-1/2" CPVC80 Blind Flange	9853015			ICC-ES-PMG
2" CPVC80 Blind Flange	9853020			ICC-ES-PMG
2-1/2" CPVC80 Blind Flange	9853025			ICC-ES-PMG
3" CPVC80 Blind Flange	9853030			ICC-ES-PMG
4" CPVC80 Blind Flange	9853040			ICC-ES-PMG
6" CPVC80 Blind Flange	9853060			ICC-ES-PMG
8" CPVC80 Blind Flange	9853080			ICC-ES-PMG

Installation	Related applications
Realice las conexiones mediante soldadura con solvente utilizando imprimación y cemento solvente diseñado específicamente para tuberías y accesorios de CPVC Cédula 80. Consulte el Manual de Uponor ChlorFIT o la Hoja de instrucciones de soldadura con solvente de Uponor ChlorFIT para obtener detalles completos.	<p>Agua doméstica</p> <p>Tuberías hidrónicas</p>

Footnotes	Contact information
-	<p>Uponor Inc. 5925 148th Street West Apple Valley, MN 55124 T 800.321.4739 F 952.891.2008</p> <p>Uponor Ltd. 6510 Kennedy Road Mississauga, ON L5T 2X4 T 888.594.7726 F 800.638.9517</p>