

# Bridas ChlorFIT Vanstone

## Project Information

Job name:	Location:
Engineer:	Fecha de envío:
Contractor:	Presentada por:
Manufacturer's representative:	Approved by:

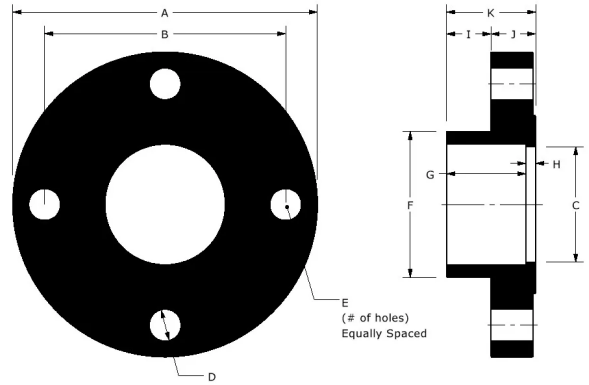
## Technical data

Material	CPVC
Temp/pressure ratings	73 °F (23 °C) at 150 psi (10.3 bar)

## Product information and application use

Utilice las bridas de piedra Van ChlorFIT® Schedule 80 Corzan® CPVC de Uponor en sistemas de agua potable fría y caliente, así como en aplicaciones hidráulicas de calefacción y refrigeración.

Corzan® is a registered trademark of Lubrizol Advanced Materials, Inc.



Part name	Part no.	A [inch]	B [inch]	C [inch]	D [inch]	E [inch]	F [inch]	G [inch]	H [inch]	I [inch]	J [inch]
1/2" Van Stone Flange 150 psi at 73F (S), Class 150	9854005	3.5	2.38	0.724	0.5	4	1.16	0.92	0.11	0.4	0.63
3/4" Van Stone Flange 150 psi at 73F (S), Class 150	9854007	3.88	2.75	0.92	0.5	4	1.39	1.02	0.13	0.51	0.64
1" Van Stone Flange 150 psi at 73F (S), Class 150	9854010	4.25	3.13	1.192	0.5	4	1.71	1.27	0.11	0.66	0.72
1-1/4" Van Stone Flange 150 psi at 73F (S), Class 150	9854012	4.63	3.5	1.49	0.5	4	2.08	1.31	0.14	0.7	0.75
1-1/2" Van Stone Flange 150 psi at 73F (S), Class 150	9854015	5	3.88	1.77	0.5	4	2.335	1.44	0.15	0.77	0.82
2" Van Stone Flange 150 psi at 73F (S), Class 150	9854020	6	4.75	2.27	0.625	4	2.875	1.56	0.2	0.88	0.88
2-1/2" Van Stone Flange 150 psi at 73F (S), Class 150	9854025	7	5.5	2.75	0.625	4	3.5	1.83	0.22	1.01	1.04
3" Van Stone Flange 150 psi at 73F (S), Class 150	9854030	7.5	6	3.265	0.625	4	4.15	1.95	0.3	1.17	1.08
4" Van Stone Flange 150 psi at 73F (S), Class 150	9854040	9	7.5	4.08	0.625	8	5.23	2.31	0.34	1.48	1.17
6" Van Stone Flange 150 psi at 73F (S), Class 150	9854060	11	9.5	6.38	0.75	8	7.56	3.02	0.48	2.17	1.33
8" Van Stone Flange 150 psi at 73F (S), Class 150	9854080	13.5	11.75	8.38	0.75	8	9.7	4.13	0.5	2.84	1.79

Part name	Part no.	K [inch]	End Type 1	Weight per UOM [lbs/UOM]
1/2" Van Stone Flange 150 psi at 73F (S), Class 150	9854005	1.03	Flange 1/2"	0.21
3/4" Van Stone Flange 150 psi at 73F (S), Class 150	9854007	1.15	Flange 3/4"	0.26
1" Van Stone Flange 150 psi at 73F (S), Class 150	9854010	1.38	Flange 1"	0.35
1-1/4" Van Stone Flange 150 psi at 73F (S), Class 150	9854012	1.45	Flange 1-1/4"	0.44
1-1/2" Van Stone Flange 150 psi at 73F (S), Class 150	9854015	1.59	Flange 1-1/2"	0.55
2" Van Stone Flange 150 psi at 73F (S), Class 150	9854020	1.76	Flange 2"	0.87
2-1/2" Van Stone Flange 150 psi at 73F (S), Class 150	9854025	2.05	Flange 2-1/2"	1.42
3" Van Stone Flange 150 psi at 73F (S), Class 150	9854030	2.25	Flange 3"	1.64
4" Van Stone Flange 150 psi at 73F (S), Class 150	9854040	2.65	Flange 4"	2.43
6" Van Stone Flange 150 psi at 73F (S), Class 150	9854060	3.5	Flange 6"	4.13
8" Van Stone Flange 150 psi at 73F (S), Class 150	9854080	4.63	Flange 8"	7.82

Part name	Part no.	Codes	Standards	Listings
Bridas ChlorFIT Vanstone	All	UPC IBC IRC IPC UMC NSPC IMC	ASTM F1970 NSF/ANSI/CAN 61 NSF/ANSI 14	ULC NSFpw-G U.P.Code

In addition, the following parts have additional codes, standards, or listings:

1/2" Van Stone Flange 150 psi at 73F (S), Class 150	9854005			ICC-ES-PMG
3/4" Van Stone Flange 150 psi at 73F (S), Class 150	9854007			ICC-ES-PMG
1" Van Stone Flange 150 psi at 73F (S), Class 150	9854010			ICC-ES-PMG
1-1/4" Van Stone Flange 150 psi at 73F (S), Class 150	9854012			ICC-ES-PMG
1-1/2" Van Stone Flange 150 psi at 73F (S), Class 150	9854015			ICC-ES-PMG
2" Van Stone Flange 150 psi at 73F (S), Class 150	9854020			ICC-ES-PMG
2-1/2" Van Stone Flange 150 psi at 73F (S), Class 150	9854025			ICC-ES-PMG
3" Van Stone Flange 150 psi at 73F (S), Class 150	9854030			ICC-ES-PMG
4" Van Stone Flange 150 psi at 73F (S), Class 150	9854040			ICC-ES-PMG
6" Van Stone Flange 150 psi at 73F (S), Class 150	9854060			ICC-ES-PMG

Installation	Related applications
Realice las conexiones mediante soldadura con solvente utilizando imprimación y cemento solvente diseñado específicamente para tuberías y accesorios de CPVC Cédula 80. Consulte el Manual de Uponor ChlorFIT o la Hoja de instrucciones de soldadura con solvente de Uponor ChlorFIT para obtener detalles completos.	Agua doméstica Tuberías hidrónicas

Footnotes	Contact information
-	<p>Uponor Inc. 5925 148th Street West Apple Valley, MN 55124 T 800.321.4739 F 952.891.2008</p> <p>Uponor Ltd. 6510 Kennedy Road Mississauga, ON L5T 2X4 T 888.594.7726 F 800.638.9517</p>