

# Coudes ProPEX en EP de 45°

## Renseignements sur le projet

Nom du poste :

Lieu :

Ingénieur :

Date de soumission:

Entrepreneur :

Présentée par:

Représentant du fabricant :

Approuvé par :

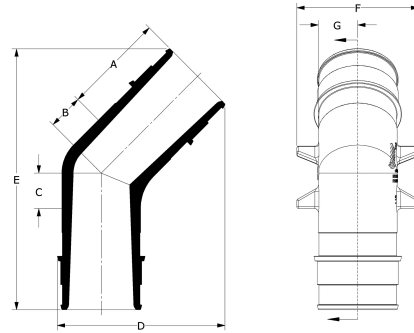
## Données techniques

Material	Engineered Polymer
Temp/pressure ratings	73 °F (23 °C) at 160 psi (11 bar) 180 °F (82 °C) at 100 psi (6.9 bar) 200 °F (93 °C) at 80 psi (5.5 bar)

## Informations sur le produit et utilisation de l'application

ProPEX® engineered polymer (EP) elbows make 45-degree connections for Uponor crosslinked polyethylene (PEX-a) tubing for use in hot and cold domestic potable water systems, residential fire safety and hydronic radiant heating and cooling systems. Each end of the elbow is manufactured with an Uponor ProPEX fitting for connections to Uponor AquaPEX® or Wirsbo hePEX™ tubing.

Note: Temperature and pressure ratings stated are hydrostatic ratings. For domestic hot-water (DHW) and DHW recirculation installations, operating conditions should not exceed 140°F (60°C) at 80 psi (5.5 bar) in accordance with ASTM F2023. For additional information regarding application-specific temperature and pressure ratings, refer to the Uponor PEX Piping Systems Design and Installation Manual.



Nom de la pièce	Numéro de pièce	A [inch]	B [inch]	C [inch]	D [inch]	E [inch]	F [inch]	G [inch]	Cv	Equivalent length through [ft]	End Type 1
ProPEX EP 45 Elbow, 1" PEX x 1" PEX	Q4761010	1.191	0.6	0.6	2.171	3.406	1.48	0.494	19.1	3.46	ProPEX 1"
ProPEX EP 45 Elbow, 1 1/4" PEX x 1 1/4" PEX	Q4761313	1.455	0.6	0.6	2.566	3.941	1.82	0.613	29.7	3.2	ProPEX 1-1/4"
ProPEX EP 45 Elbow, 1 1/2" PEX x 1 1/2" PEX	Q4761515	1.714	0.6	0.6	2.851	4.418	2.07	0.67	33.1	9.3	ProPEX 1-1/2"
ProPEX EP 45 Elbow, 2" PEX x 2" PEX	Q4762020	2.157	0.75	0.75	3.767	5.634	2.82	0.941	68.9	8.8	ProPEX 2"
ProPEX EP 45 Elbow, 2 1/2" PEX x 2 1/2" PEX	Q4762525	2.83	1	1	4.813	7.353	3.6	1.21	136.8	7	ProPEX 2-1/2"
ProPEX EP 45 Elbow, 3" PEX x 3" PEX	Q4763030	3.38	1.1	1.1	5.68	8.623	4.2	1.45	195.5	8.3	ProPEX 3"

Nom de la pièce	Numéro de pièce	End Type 2	Weight per UOM [lbs/UOM]
ProPEX EP 45 Elbow, 1" PEX x 1" PEX	Q4761010	ProPEX 1"	0.06
ProPEX EP 45 Elbow, 1 1/4" PEX x 1 1/4" PEX	Q4761313	ProPEX 1-1/4"	0.1
ProPEX EP 45 Elbow, 1 1/2" PEX x 1 1/2" PEX	Q4761515	ProPEX 1-1/2"	0.13
ProPEX EP 45 Elbow, 2" PEX x 2" PEX	Q4762020	ProPEX 2"	0.32
ProPEX EP 45 Elbow, 2 1/2" PEX x 2 1/2" PEX	Q4762525	ProPEX 2-1/2"	0.65
ProPEX EP 45 Elbow, 3" PEX x 3" PEX	Q4763030	ProPEX 3"	1.07

Nom de la pièce	Numéro de pièce	Les codes	Normes	Annonces
Coudes ProPEX en EP de 45°	All	IMC UPC IBC IRC IPC NPC of Canada UMC NSPC	ASTM F1960 ASTM E119/UL 263 ASTM E84 ASTM E814/ULC S115 ASTM F877 CSA B137.5 ULC S102.2 NSF/ANSI/CAN 61 ULC S101 NSF/ANSI 14	IAPMO-ES ICC-ES-PMG cNSF-us-pw UL U.P.Code cQAlus P321 HUD MR 1269

## L'installation

Use the appropriate ProPEX ring for PEX-a tubing. Refer to the Uponor PEX Piping Systems Design and Installation Manual for additional information.

## Applications connexes

- PEX-a Plumbing Systems
- Hydronic Radiant Heating and Cooling Systems
- Turf Conditioning Systems
- Permafrost Prevention Systems
- AquaSAFE™ Fire Safety Systems

Uponor Inc.  
5925 148th Street West  
Apple Valley, MN 55124  
T 800.321.4739  
F 952.891.2008

Uponor Ltd.  
6510 Kennedy Road  
Mississauga, ON L5T 2X4  
T 888.594.7726  
F 800.638.9517

---