

Trousses d'adaptateurs à bride ProPEX en laiton sans plomb (LF)



Renseignements sur le projet

Nom du poste :	Lieu :
Ingénieur :	Date de soumission:
Entrepreneur :	Présentée par:
Représentant du fabricant :	Approuvé par :

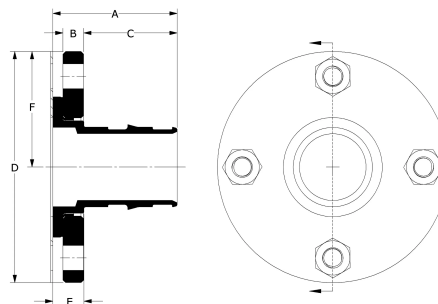
Données techniques

Material	LF Brass
Temp/pressure ratings	73 °F (23 °C) at 160 psi (11 bar) 180 °F (82 °C) at 100 psi (6.9 bar) 200 °F (93 °C) at 80 psi (5.5 bar)
Prop 65 label required?	Yes

Informations sur le produit et utilisation de l'application

ProPEX® Lead-free (LF) Brass Flange Adapter Kit connects Uponor PEX tubing to any compatible flange. 1 Flanges conform to ANSI 16.5 150 Standard, are powder coated with an EPDM insulator adhered to the plate steel flange protruding inside of the steel flange to prevent contact with the LF brass flange adapter.

Note: Temperature and pressure ratings stated are hydrostatic ratings. For domestic hot-water (DHW) and DHW recirculation installations, operating conditions should not exceed 140°F (60°C) at 80 psi (5.5 bar) in accordance with ASTM F2023. For additional information regarding application-specific temperature and pressure ratings, refer to the Uponor PEX Piping Systems Design and Installation Manual.



Nom de la pièce	Numéro de pièce	A [mm]	B [mm]	C [mm]	D [mm]	E [mm]	F [mm]	Cv	End Type 1	End Type 2	Weight per UOM [kg/UOM]
ProPEX LF Brass Flange Adapter Kit, 2 1/2" PEX (150 lb.)	LF2982525	95.76	16	72.06	177.80	23.70	88.90	131.5	ProPEX 2-1/2"	Flange 2-1/2"	4.173
ProPEX LF Brass Flange Adapter Kit, 3" PEX (150 lb.)	LF2983030	109.73	16	86.03	190.50	23.70	95.25	311	ProPEX 3"	Flange 3"	4.899

Nom de la pièce	Numéro de pièce	Les codes	Normes	Annonces
Trousses d'adaptateurs à bride ProPEX en laiton sans plomb (LF)	All	UPC IBC IRC IPC NPC of Canada UMC NSPC IMC	ASTM F877 NSF/ANSI/CAN 372 ASTM F1960 CSA B137.5 NSF/ANSI/CAN 61 NSF/ANSI 14	IAPMO-ES HUD MR 1269 ICC-ES-PMG cNSFus-pw-G U.P.Code

In addition, the following parts have additional codes, standards, or listings:

ProPEX LF Brass Flange Adapter Kit, 3" PEX (150 lb.)	LF2983030
--	-----------

L'installation

ProPEX Expansion Tool and ProPEX Rings (sold separately) are required for connecting the PEX tubing. Refer to the Uponor AquaPEX® Professional Plumbing Installation Guide or Uponor Hydronic Piping Design Assistance Manual for additional information.

Applications connexes

- PEX-a Plumbing Systems
- Hydronic Radiant Heating and Cooling Systems
- Snow Melting Systems
- Turf Conditioning Systems
- Permafrost Prevention Systems

Notes de bas de page

Coordonnées de la personne-ressource

-	Uponor Inc. 5925 148th Street West Apple Valley, MN 55124 T 800.321.4739 F 952.891.2008	Uponor Ltd. 6510 Kennedy Road Mississauga, ON L5T 2X4 T 888.594.7726 F 800.638.9517
---	---	---