

PRODUCT DATA SHEET (10/2019)



Mixing sets 3D TYPE A
TYP A1



TYP A2



Mixing sets 2D TYPE B
TYP B1

1. Name

Mixing sets (2D oraz 3D)

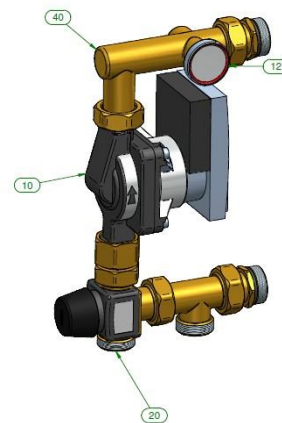
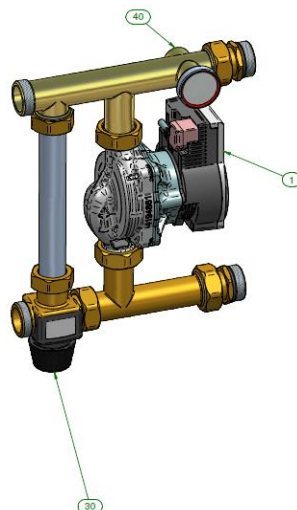
2. Features and purpose of the product

The mixing kit ensures the correct temperature of surface heating systems by lowering the system supply temperature using 2D or 3D valves. Each mixing kit requires a power source. Mixing sets can be installed in all manifold cabinets from the Capricorn offer, except for shallow flush-mounted cabinets and surface-mounted cabinets with a depth of 110 mm.

3. Design

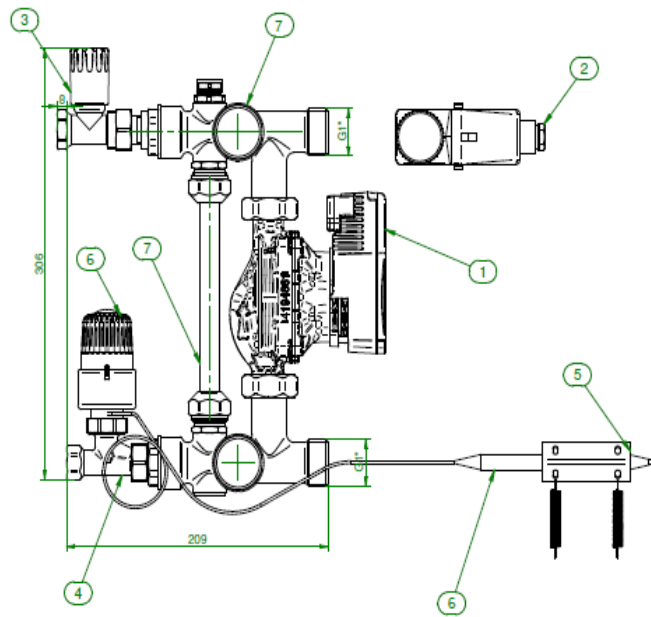
Mixing sets with a three-way valve consist of the following components:

- 1; 10 Energy saving pump;
- twenty; 30. ESBE valve,
- 40. Connection bar
- 12. Bimetallic thermometer



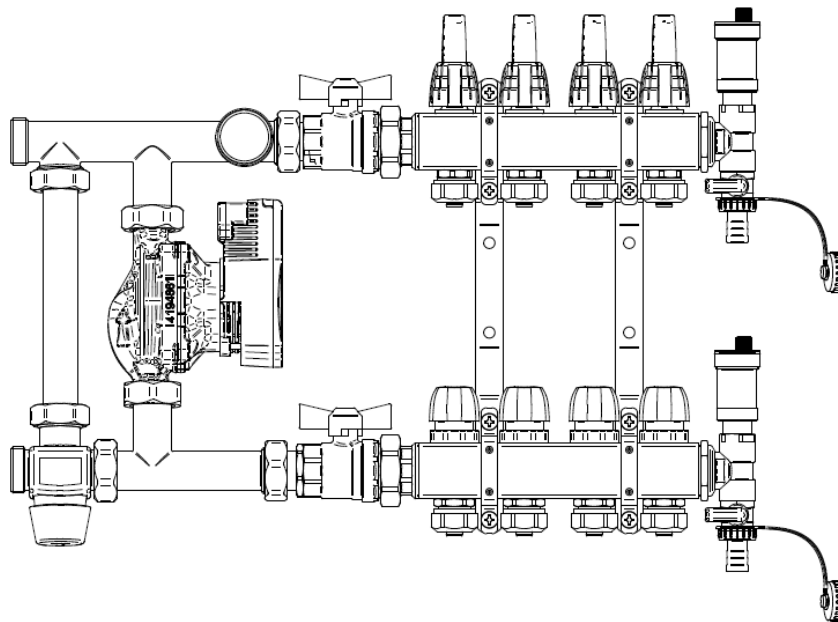
Mixing sets with a thermostatic head consist of the following components:

1. Energy saving pump;
2. Contact thermostat;
3. Return control valve;
4. Thermoregulatory valve;
5. Head sensor connection kit
6. Thermostatic head with capillary and sensor
7. Connection set, By-pass

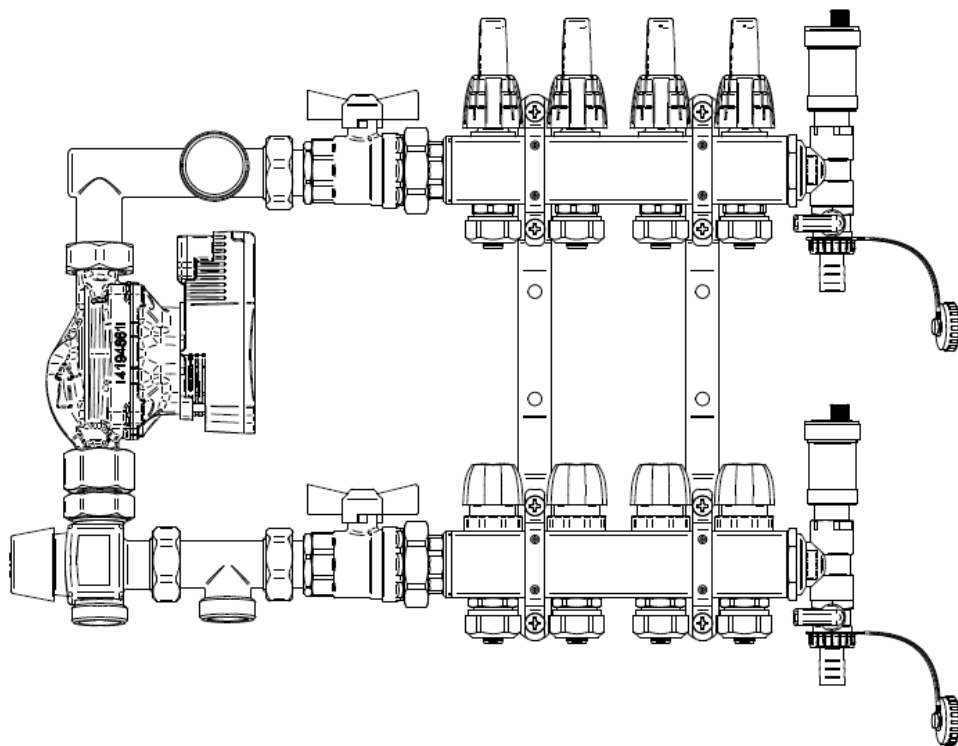


4. Principle of operation

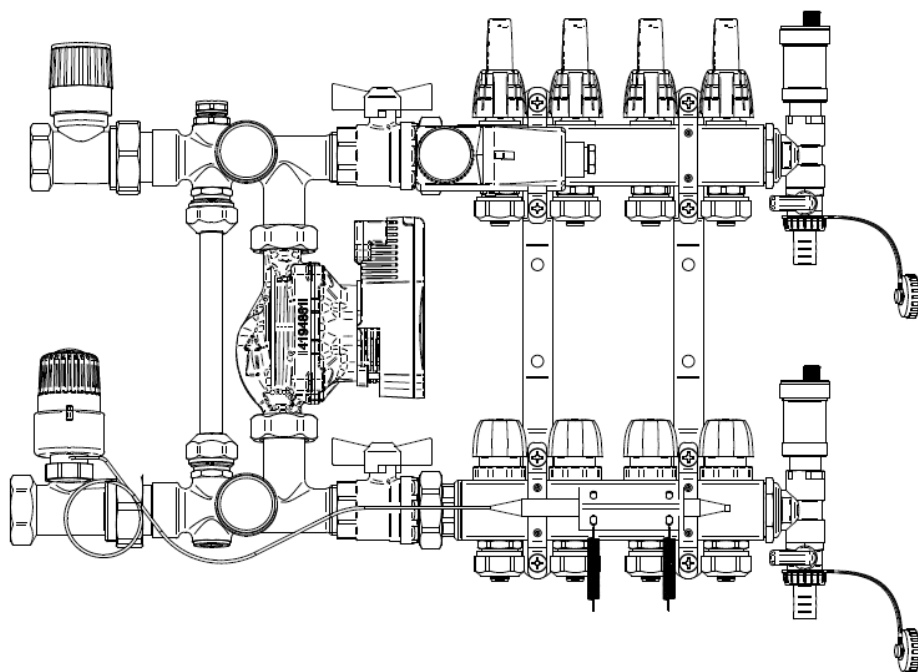
Mixing sets are used in surface heating systems in a mixed system, i.e. when low-temperature underfloor heating together with high-temperature radiator installation work in one heating installation. The set lowers and maintains the temperature of the medium supplying the underfloor heating system, while maintaining maximum energy efficiency.



Typ A1

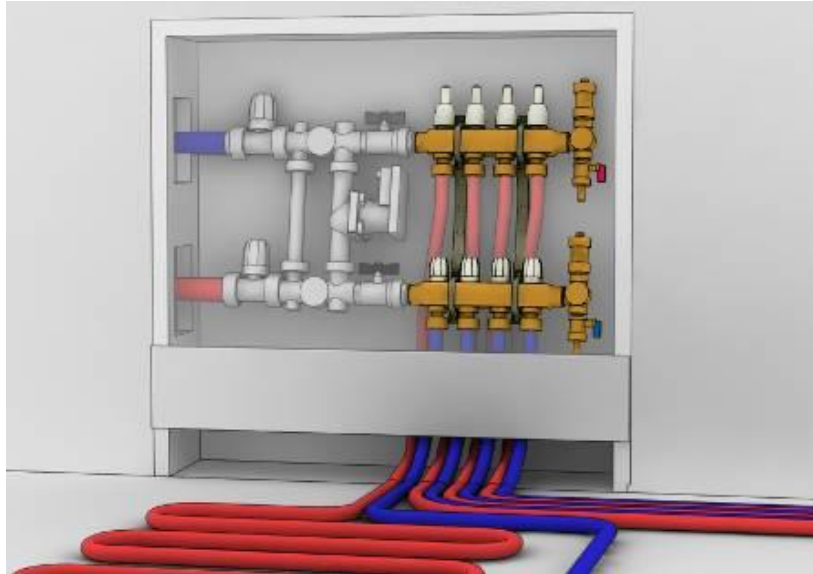


Typ A2



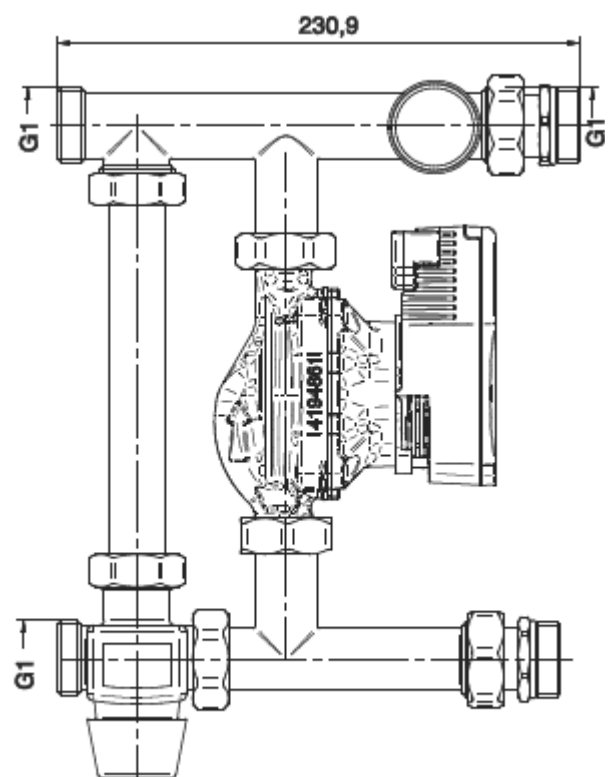
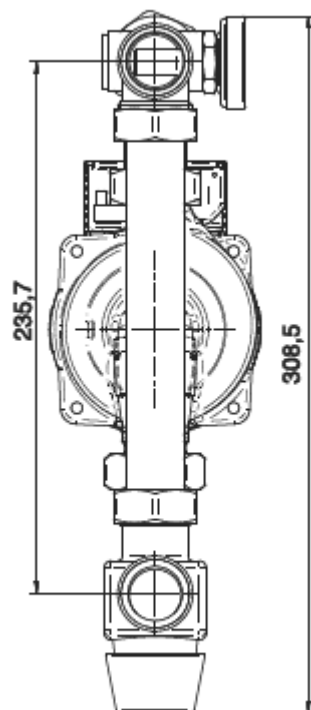
Typ B1

5. Example application

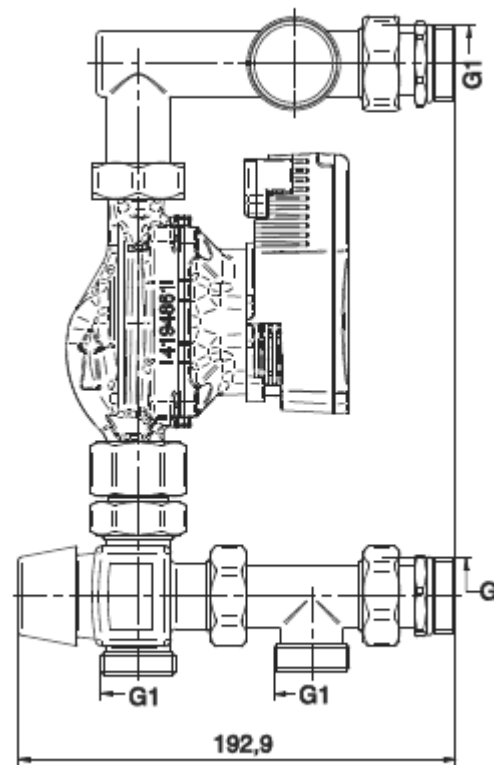
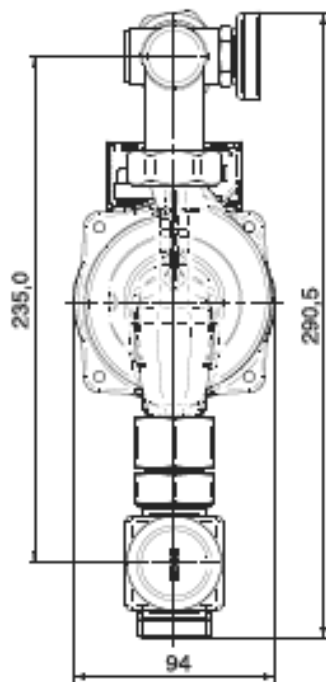


6. Dimensions

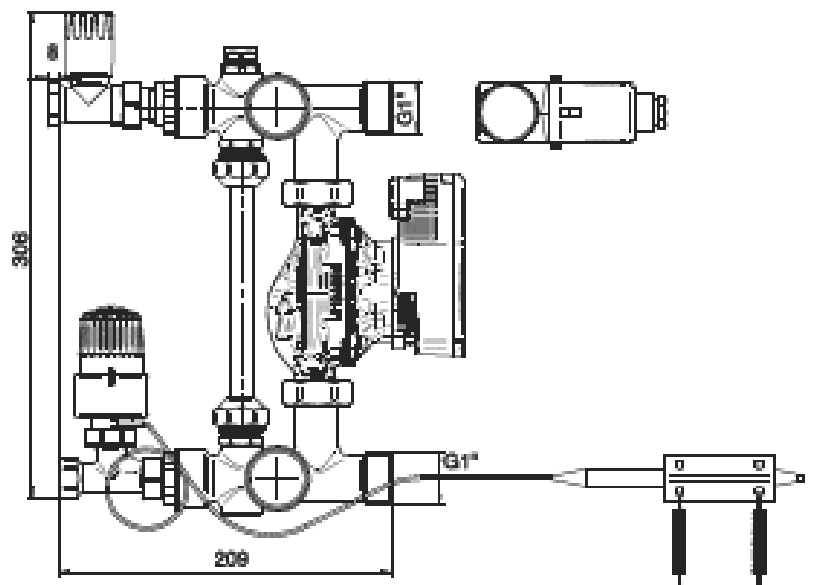
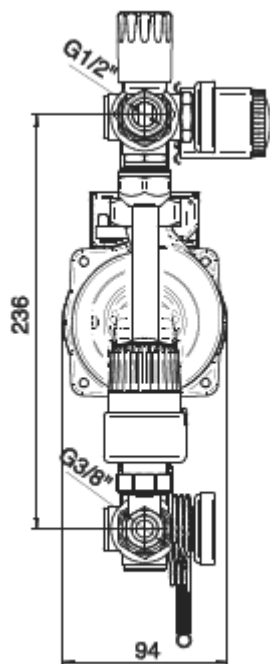
A1



A2



B1



7. Technical parameters and materials used


3D mixing sets



Subassembly	Material	Parametre
Pumps	-	Wilo Yonos Para RS 15/6
Three-way valve	Brass	20÷55°C ESBE VTA 372 – 3,4 Kvs
Upper beam	Brass	1"
Bottom beam	Brass	1"
Thermometer	-	-
By-pass	Copper	25mm

2D mixing sets

Subassembly	Material	Parametre
Pumps	-	Wilo Yonos Para RS 15/6
Thermoregulatory valves	Brass	1/2" – Kvs 1,85 3/4" – Kvs 1,95 1" – Kvs 2,2
Upper beam	Brass (*22-13)	1"
Bottom beam	Brass	1"
Thermometer	-	n/d
By-pass	Copper	15mm
Thermostatic head	-	20-50°C
Contact thermostat	-	10-90°C, (230V, 15A)
Bypass control valve	Brass	1/2"

8. Codes

Code	Name	Valve	Material	Photo
3D mixing sets				
9-3684-160-30-22-13	Mixing sets ECO 3D A1/200m2/60C	3D KVS 3,4 (20÷55°C)	Brass	 <p style="text-align: center;">TYPE A1</p>

9-3683-160-30-22-13	Mixing sets ECO 3D A2/200m2/60C	3D KVS 3,4 (20÷55°C)	Brass	 TYPE A2
Mixing sets 2D				
9-3681-085-30-22-13	Mixing sets ECO 2D B1/85m2	2D Kvs 1,85 1/2"	Brass	 TYPE B1
9-3681-120-30-22-13	Mixing sets ECO 2D B1/120m2	2D Kvs 1,95 3/4"	Brass	
9-3681-160-30-22-13	Mixing sets ECO 2D B1/160m2	2D Kvs 2,2 1"	Brass	

9. Packaging

The sets are packed in cardboard boxes, packages of 1 piece



Mixing sets 3D TYPE A



Mixing sets 2D TYPE B1

Mixing sets 2D TYPE B2

10. Advantages

- electronic, energy-saving circulation pump meeting the requirements of the ErP Directive
- Easy temperature control with a 3D valve or thermostatic head
- precise supply temperature setting dedicated to surface heating
- components from reputable manufacturers that meet the requirements of European standards and the ErP Directive
- sets have standardized mounting connection to the manifold and are adapted for mounting in the manifold cabinet
- set dedicated to manifolds with 235mm spacing

11. Warranty and liability

During assembly works one should comply with health and safety rules contained in building codes and standards. Capricorn S.A. Details of the guarantee are available at www.capricorn.pl

12. Manufacturer

Capricorn S.A.

58-160 Świebodzice, Ciernie 11

tel./fax +48/74/854 05 16

www.capricorn.pl

e-mail: capricorn@capricorn.pl