



Sanitary system

Venting cowls
for sewage systems

UniVent

NEW SIZES
Ø75 and Ø160
NOW AVAILABLE!



Available in sizes:

Ø50 Ø75 **NEW**
Ø110 Ø160 **NEW**

in versions for installation
into a socket or onto a pipe



Patented construction of Capricorn **UniVent** - made of one injection,
without any joints-guarantees durability and reliability for years.



Capricorn S.A., ul. Ciernie 11, 58-160 Świebodzice,
Sales Department, tel. +48 74 8503 554 , tel. +48 74 8503 546

www.capricorn.pl
sales@capricorn.pl



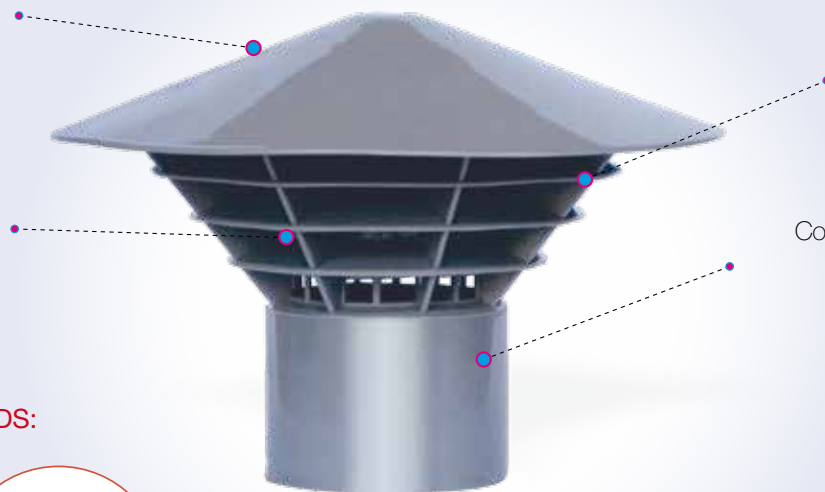
Venting cowls UniVent

ZERO joints – UNIVENT
- patented one piece
of composite

Venting cowl made
from durable PP composite
with a stabilizer against
UV rays

Protective structure
against pollution

Convenient installation
adapted to each
sanitary system



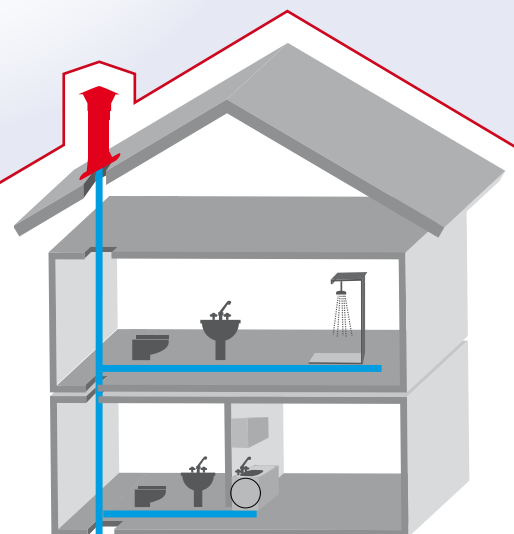
INSTALLATION METHODS:



Installation
into a socket



Installation
onto a pipe



The positioning of Capricorn UniVent
venting cowls in the sanitary system

Product code	Dimensions [mm] Ø	Dimensions	Individual packaging
9-3003-050-37-01-03	50	Installation into a socket	1
9-3003-050-38-01-03	50	Installation onto a pipe	1
9-3003-075-37-01-03	75 NEW	Installation into a socket	1
9-3003-075-38-01-03	75 NEW	Installation onto a pipe	1
9-3003-110-37-01-03	110	Installation into a socket	20
9-3003-110-38-01-03	110	Installation onto a pipe	20
9-3003-160-37-01-03	160 NEW	Installation into a socket	5
9-3003-160-38-01-03	160 NEW	Installation onto a pipe	5