



# Uponor

RADIANT HEATING SYSTEMS

## THREE-ZONE MULTI-PUMP RELAY

**INSTRUCTION SHEET**

### Cold Start Boiler Operation

When the thermostat calls for heat, the appropriate circulator is energized and the isolated end switch (X<sub>1</sub> and X<sub>2</sub>) will start the boiler.

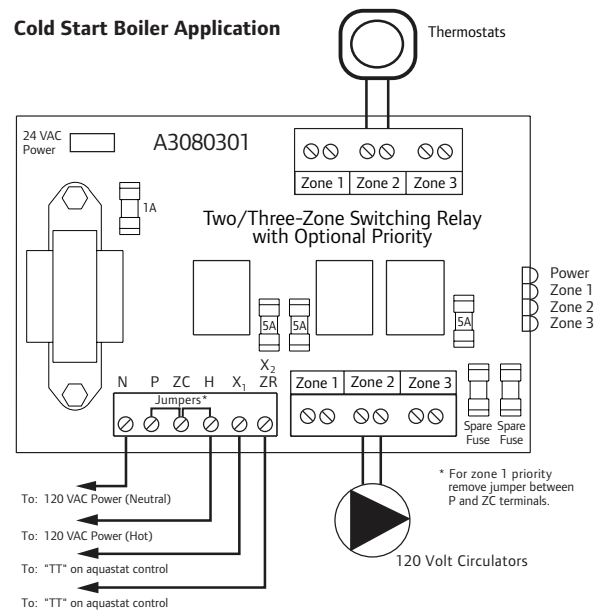
### Jumper Placement

The jumper should be placed between terminals ZC and H. Connect the isolated end switch, X<sub>1</sub> and X<sub>2</sub> to the boiler aquastat control. (For zone 1 priority, remove jumper between terminals P and ZC.)

### Power Input

Connect 120 VAC power input to terminals N and H, neutral wire to terminal N and hot wire to terminal H.

### Cold Start Boiler Application



### Tankless Coil Boiler Operation

When any thermostat calls for heat, the boiler is given a signal to start. The appropriate circulator is energized only when the boiler temperature is above the set low limit.

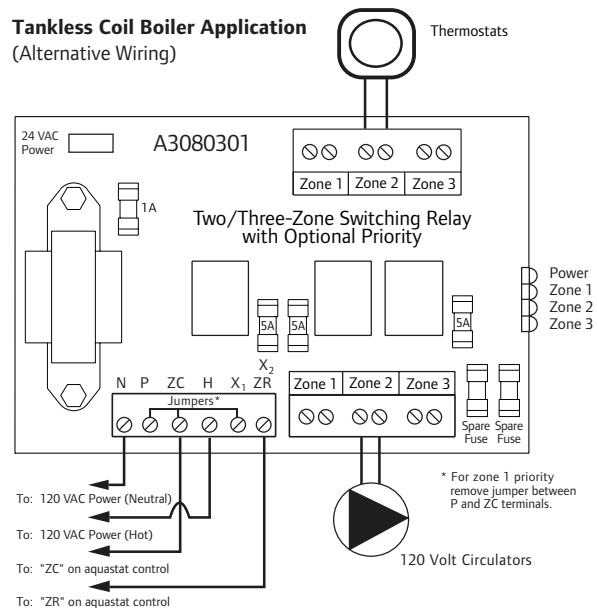
### Jumper Placement

The jumper should be placed between terminals ZC and X<sub>1</sub>. Connect terminal ZC to ZC terminal on the aquastat control. Connect terminal ZR to ZR terminal on the aquastat control. Confirm polarity is consistent between boiler aquastat and switching relay. (For zone 1 priority, remove jumper between terminals P and ZC.)

### Power Input

Connect 120 VAC power input to terminals N and H, neutral wire to terminal N and hot wire to terminal H.

### Tankless Coil Boiler Application (Alternative Wiring)



### External Diagnostics

Externally visible lights show full functionality of the switching relay. The green light should always be on, indicating that power is connected. When the thermostat calls for heat, both the appropriate circulator and red indicating light are energized.

### Features

- External indicator lights
- Priority
- Simplified wiring
- Fully enclosed snap-out relays
- Compact design
- Fuse-protected outputs
- 100% factory tested
- Isolated end switch
- Contractor-friendly PC board layout
- Universal thermostat

- Compatibility
- UL approved
- 24 volt power input or output terminal
- Extended three-year warranty
- Made in the United States



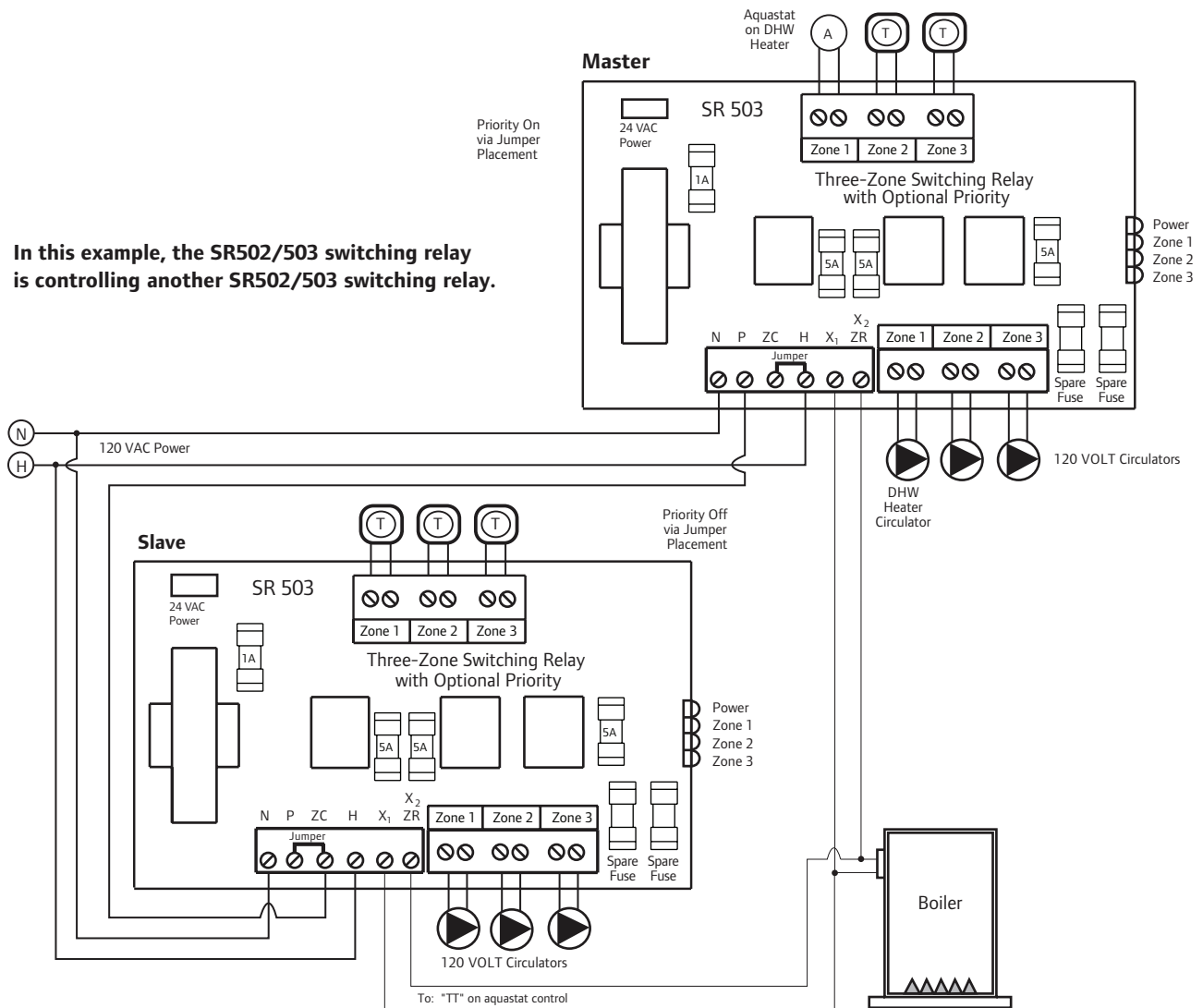
**Warning:** Wiring connections must be made in accordance with all applicable electrical codes. Use copper wire only with a minimum temperature rating of 60/75°C. Failure to follow this instruction can result in personal injury or death and/or property damage. 12-18 gauge wire recommended for 120 VAC connections, 14-22 gauge wire for thermostat connections and 14-22 gauge wire for 24 VAC source connections.

### Specifications

Product Number	Number of Zones	Transformer Voltage	Maximum Combined Load	Dimensions of Enclosure		
				Width	Height	Depth
A3080301	3 with Priority	120 VAC Input	15 amps	10 1/4"	6 3/4"	2 3/4"

All switching relays are relay type DPST, have a thermostat current of 0.18 and have a single-phase motor rating per zone of 1/2 hp (5.0A) at 120 VAC.

In this example, the SR502/503 switching relay is controlling another SR502/503 switching relay.



**Uponor, Inc.**  
 5925 148th Street West  
 Apple Valley, MN 55124  
 USA

Tel: (800) 321-4739  
 Fax: (952) 891-1409  
 Web: [www.uponor-usa.com](http://www.uponor-usa.com)  
 E-mail: [learnmore@uponor-usa.com](mailto:learnmore@uponor-usa.com)

**uponor**