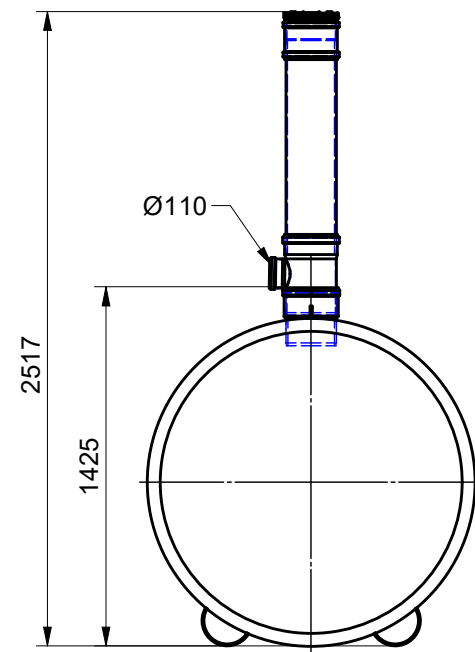
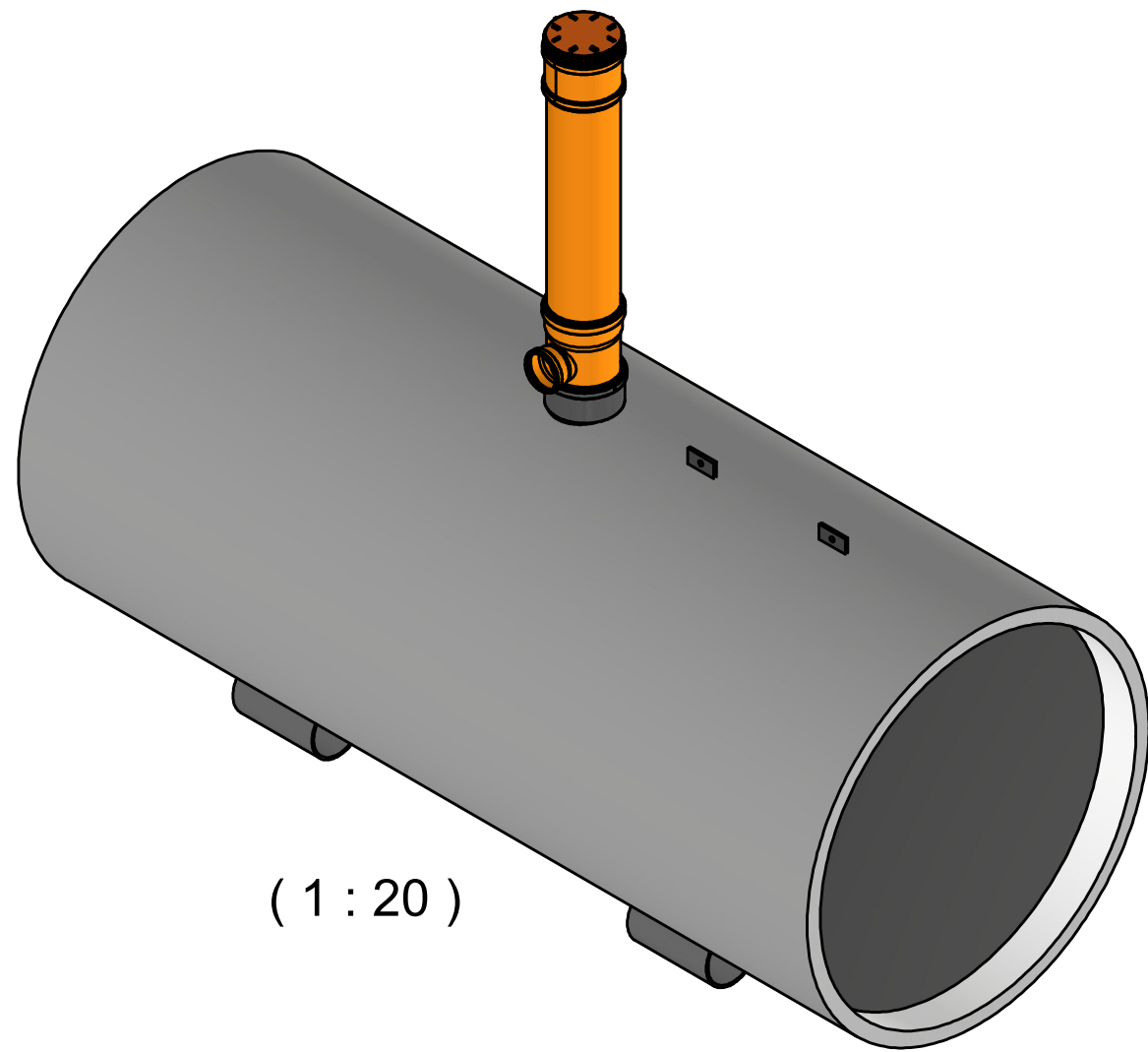
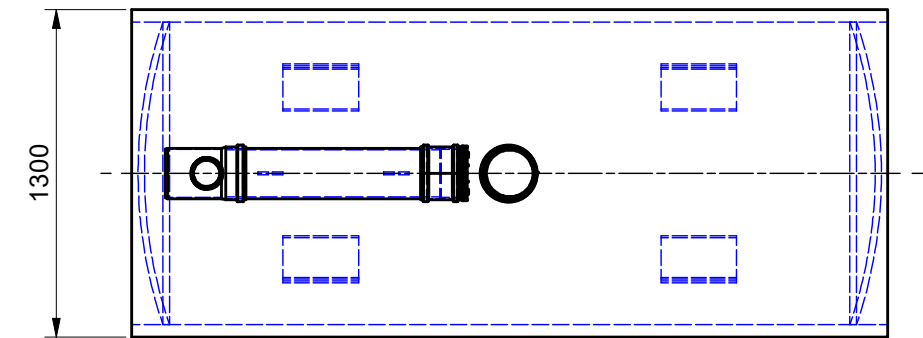
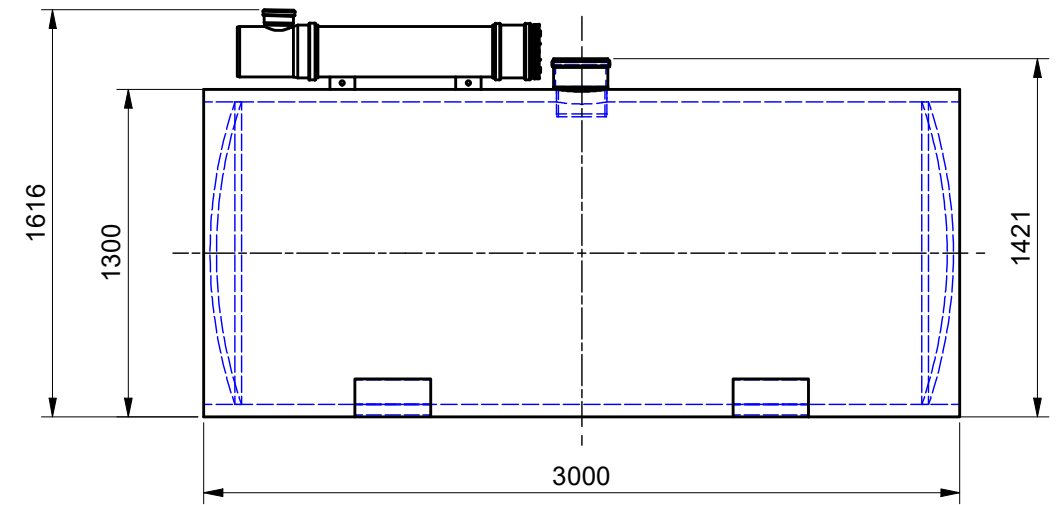


Riser mounted



Transport view



(1 : 20)

Description				
Holding Tank				
3m ³ Ø1200				
Client / Project / Order No.	Pressure Test	Drg.No		
Holding Tanks	YES	1073313		
Material	Scale	Weight	Status	Revision
Drawn 2024-11-06 / MS	1 : 30	250 kg	Released	1
File Name 1073313-005.idw	Sheet A3	Chkd.	Appr.	

This document constitutes confidential and proprietary information of Uponor Corporation. Any party accepting receipt of this document does so on the express understanding and agreement that it will neither reproduce, disclose to third parties or use this document for any purpose other than those expressly agreed to by any Uponor group company.