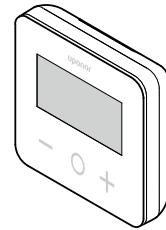


Uponor Base thermostat display T-27 230V



IC0000041



CD000049

Uponor Base thermostat display T-27 230V (thermostat T-27) comes with a big LCD display and capacitive keys.

The temperature is displayed in large digits for easy readability also from a distance.

The capacitive keys and the front glass make cleaning of the front of the thermostat easy.

A special electronics (triac) ensures that the thermostat is operating completely noiseless and provides highest comfort in all rooms.

Thermostat features

Main characteristics for the thermostat:

- Mounting
 - on wall
 - on standard European patress box/flush mounting box
- Noiseless switching (triac)
- Can supply up to 5 actuators with power
- Optional: an external temperature sensor can be connected to the thermostat, to measure the room or floor temperature

Software features

Main characteristics of the thermostat software:

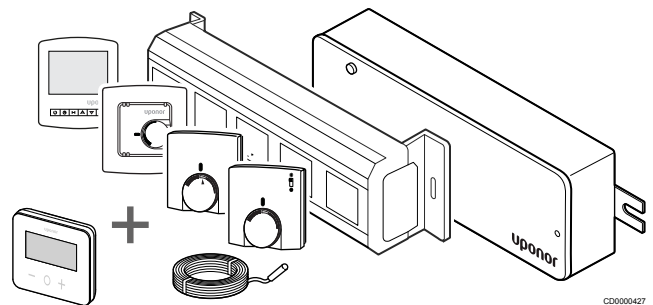
- Temperature limitation
- Optional floor sensor connectivity
- Heating/cooling switch
- Regulation modes
 - **rt**: room temperature
 - **rS**: external sensor temperature
 - **rFt**: room temperature with floor temperature limitation
- Comfort/ECO modes
- Demand indication in the display
- Calibration
- Valve exercise - triggers the actuator valve to open for 2 minutes if the actuator has been closed for 3 days (72 hours)
- Factory reset

System compatibility



Note

For more detailed information, product range and documentation please visit the Uponor website: www.uponor.com.

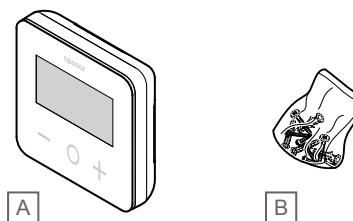


CD0000427

The thermostat T-27 is compatible with the current Uponor Base control system 230 V, the Uponor Base flexi-board controllers (X-24/X-25/X-26/X-27), the Uponor Base X-23 wiring box as well as the Uponor Smatrix floor/remote sensor S-1XX.

Components of the thermostat

The illustration below shows the thermostat and its components.



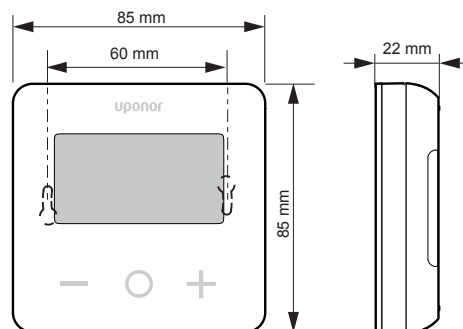
CD0000490

Item	Description
A	Uponor Base thermostat display T-27 230V
B	Mounting material

Technical data

Description	Value
IP	IP30 (IP: degree of inaccessibility to active parts of the product and degree of water)
Max. ambient RH (relative humidity)	60 % at 20 °C
Marking	CE, UKCA
ERP	Class I
Power supply	230 V AC, 50 Hz
Operating temperature	0 °C to +50 °C
Wired control	TRIAC 230 V
Storage temperature	-20 °C to +60 °C
Room temperature sensor (rt)	CTN 10 K at 25 °C
External temperature sensor	CTN 10 K at 25 °C
Thermostat colour	Thermostat body RAL 9016 Transparent front glass

Dimensions



ZD000060

Directive 2014/35/EU (LVD)

Harmonised standards applicable under Directive 2014/35/EU for Low Voltage (LVD):

- EN 60730-1:2017 Safety — Automatic electrical controls for household and similar use - Part 1: General requirements
- EN 60730-2-9:2013 Safety — Automatic electrical controls for household and similar use - Part 2-9: Particular requirements for temperature sensing controls

Directive 2014/30/EU (EMC)

Harmonised standards under Directive 2014/30/EU for Electromagnetic compatibility (EMC):

- EN IEC 61000-3-2:2019 — Electromagnetic compatibility (EMC) - Part 3-2: Limits - Limits for harmonic current emissions (equipment input current 16 A per phase)
- EN IEC 61000-3-3:2013 + AMD1:2017 — Electromagnetic compatibility (EMC) - Part 3-3: Limits - Limitation of voltage changes, voltage fluctuations and flicker in public low-voltage supply systems, for equipment with rated current =16 A

Declaration of conformity

Usable in all Europe

Declaration of conformity

We hereby declare under our own responsibility that products dealt with by these instructions satisfy all essential demands linked to the information stated in the Safety instruction booklet.



Uponor GmbH

Industriestraße 56,
D-97437 Hassfurt, Germany

1121209 v1_04-2021_EN
Production: Uponor/ELO

Uponor reserves the right to make changes, without prior notification, to the specification of incorporated components in line with its policy of continuous improvement and development.



www.uponor.com