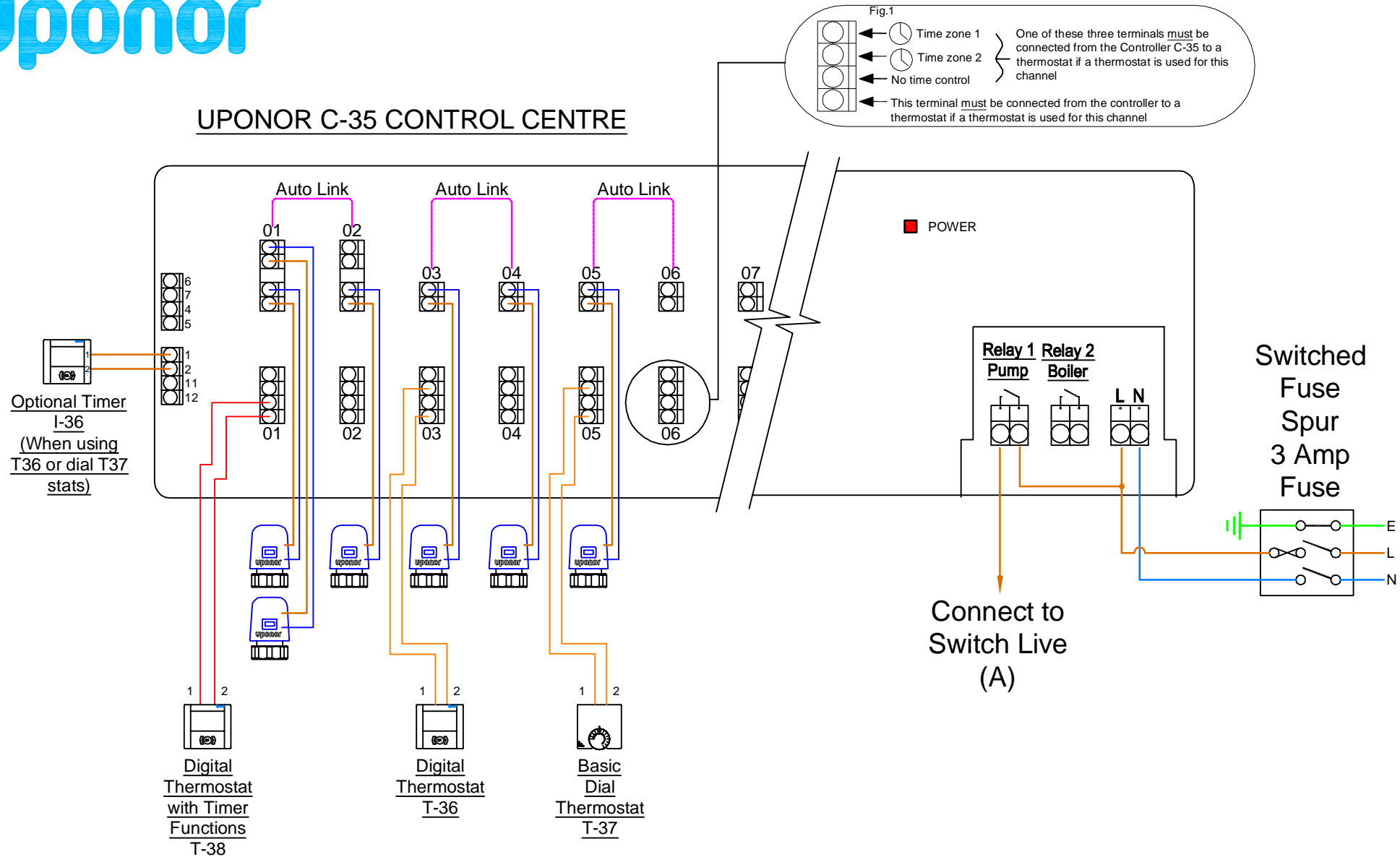


UPONOR C-35 CONTROL CENTRE



Controller (C-35) notes,

The diagram below shows the Controller (C-35) linked to an optional Timer (I-36), five thermostats and ten 24V actuator heads. Only 6 of the 12 channels are shown for clarity.

Each thermostat requires two cables to be wired to two of the four thermostat connections. The bottom connection must be made. The second wire should be connected to one of the three remaining terminals depending on whether the Timer (I-35) is being used and if so, which of the two time channels is being used. See Fig 1.