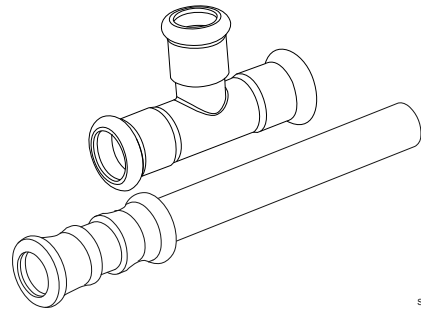
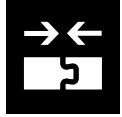


# Uponor

## Uponor INOX



SD0000131



**NO!**

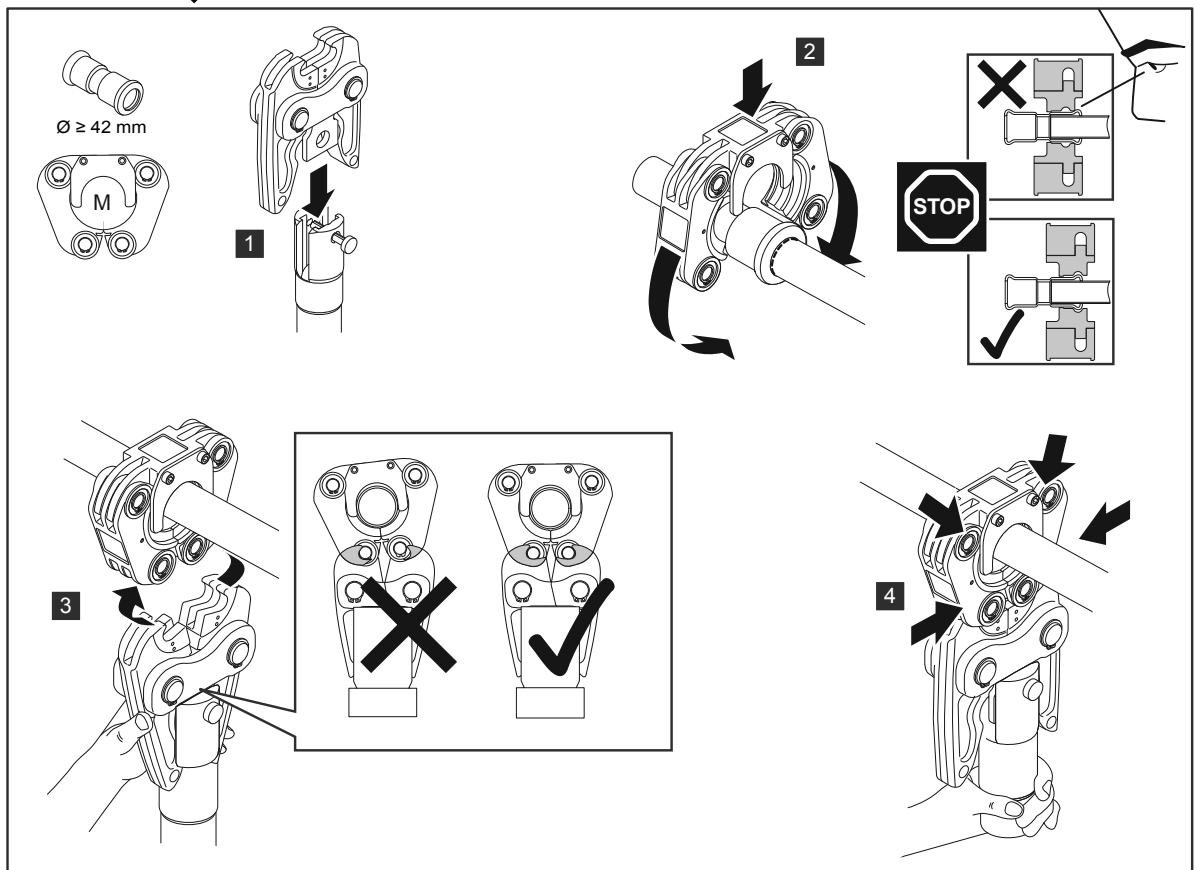
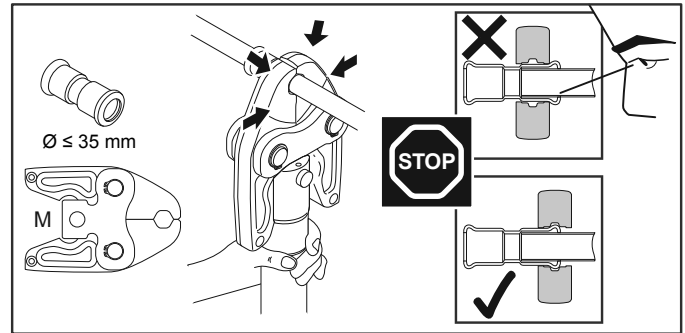
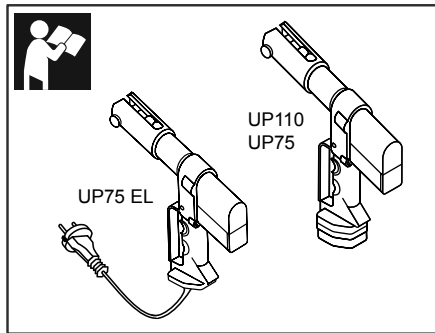
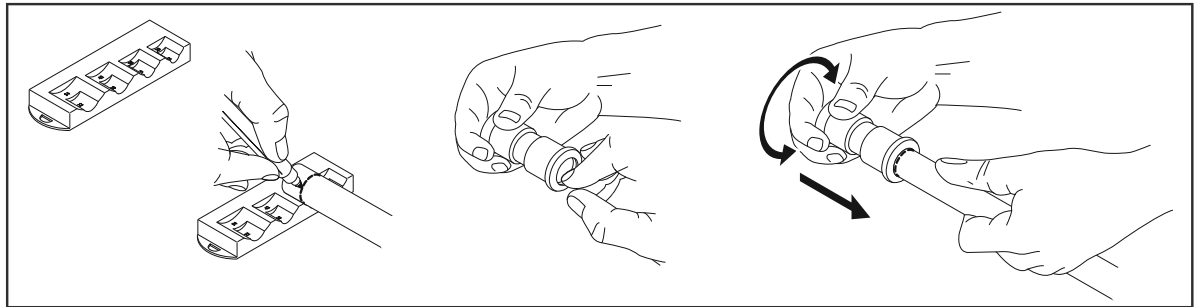


$\Delta L = a \cdot L \cdot \Delta T$

d [mm]	15 / 18	22 / 28	35 / 42 / 54
L [m]	1.5	2.5	3.5



SI0000401



## Uponor GmbH

Industriestraße 56,  
D-97437 Hassfurt, Germany

1119965 v1\_01\_2021\_INT  
Production: Uponor/DCO

Uponor reserves the right to make changes, without prior notification, to the specification of incorporated components in line with its policy of continuous improvement and development.



[www.uponor.com](http://www.uponor.com)