

PRODUCT DATA SHEET (ver.02/11.2017)



1. Name

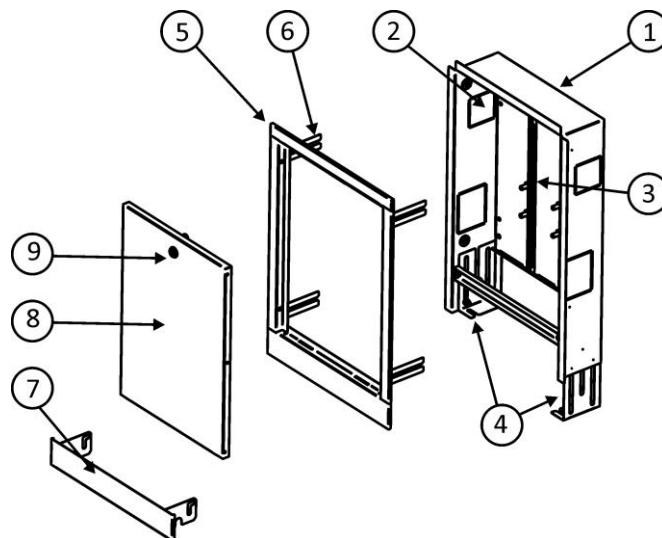
Manifold Cabinets COMPACT (under plaster and over plaster)

2. Characteristics and intended use of the product

Manifold Cabinets are intended for in - building water and heating installation distributors.

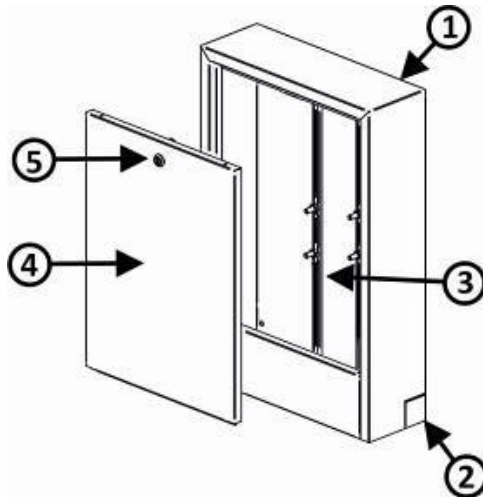
3. Design

Under plaster manifold cabinet:



1. Cabinet body
2. Mounting holes
3. Manifold `s mounting rails
4. Adjustment legs
5. Fascia panel
6. Guide for depth changes
7. Moving panel
8. Door
9. Lock

Over plaster manifold cabinet:

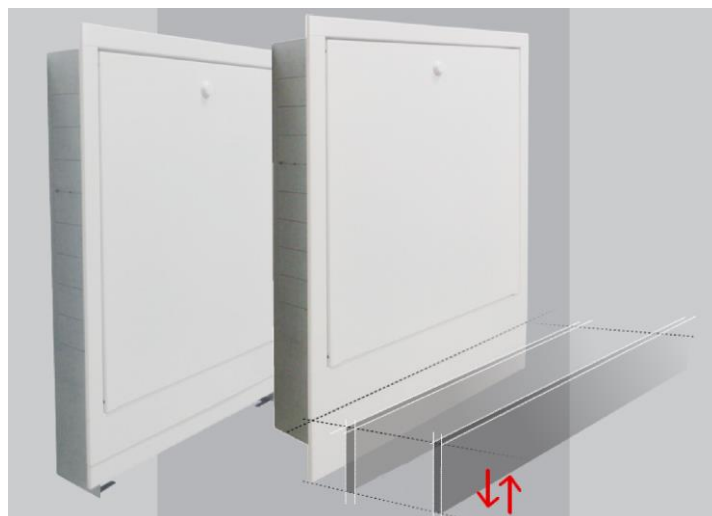


1. Manifold cabinet body
2. Mounting hole intended to be used under baseboard
3. manifold's guide bars
4. Door
5. Lock

4. Principle of operation

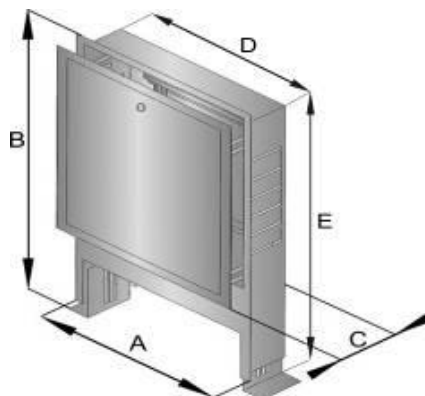
Manifold cabinets depending on their version (flush-mounted or surface mounted) are mounted in a wall groove or it is mounted on the surface of a building. Flush-mounted boxes are equipped with adjustment mechanisms allowing to adjust height and depth of **fascia panel** and a box height. The box door is equipped with one of three available locks: key lock, coin lock and grip lock. Slats inside a box make it possible for heating and water system appliances to be installed inside a box. The slat space can be adjusted. The slats come together with a set of mounting screws.

Cabinets have attachment hole for conetion of heating instalation and water instalation.



5. Dimensions

Under plaster cabinet

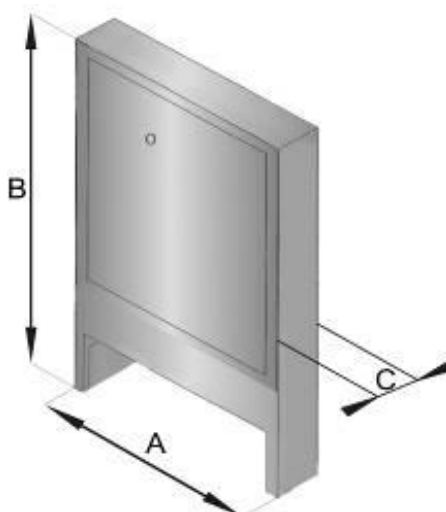


Code	Box dimensions	Dimensions [mm]					Manifold circuits	Manifold circuits with mixing set
		Total width A	Total height B	Total depth C	Body width D	Body height E		
Under plaster cabinet Compact with moving panel								
9-352X-335-00-35-01	335	382	580-680	110-160	335	560	4	0
9-352X-435-00-35-01	435	482	580-680	110-160	435	560	6	0
9-352X-535-00-35-01	535	582	580-680	110-160	535	560	8	3
9-352X-635-00-35-01	635	682	580-680	110-160	635	560	10	5
9-352X-735-00-35-01	735	782	580-680	110-160	735	560	12	7
9-352X-835-00-35-01	835	882	580-680	110-160	835	560	14	9
9-352X-935-00-35-01	935	982	580-680	110-160	935	560	16	11
9-352X-035-00-35-01	1035	1082	580-680	110-160	1035	560	18	13
Under plaster cabinet Compact								
9-352X-350-00-35-01	350	397	587÷687	110÷165	350	560	4	0
9-352X-450-00-35-01	450	497	587÷687	110÷165	450	560	6	0
9-352X-600-00-35-01	600	647	587÷687	110÷165	600	560	8	4
9-352X-750-00-35-01	750	797	587÷687	110÷165	750	560	12	7
9-352X-900-00-35-01	900	947	587÷687	110÷165	900	560	14	10
9-352X-103-00-35-01	1030	1077	587÷687	110÷165	1030	560	16	12
9-352X-113-00-35-01	1130	1177	587÷687	110÷165	1130	560	18	14

X – 1: Coin lock

X – 2: Key lock

Over plaster cabinet

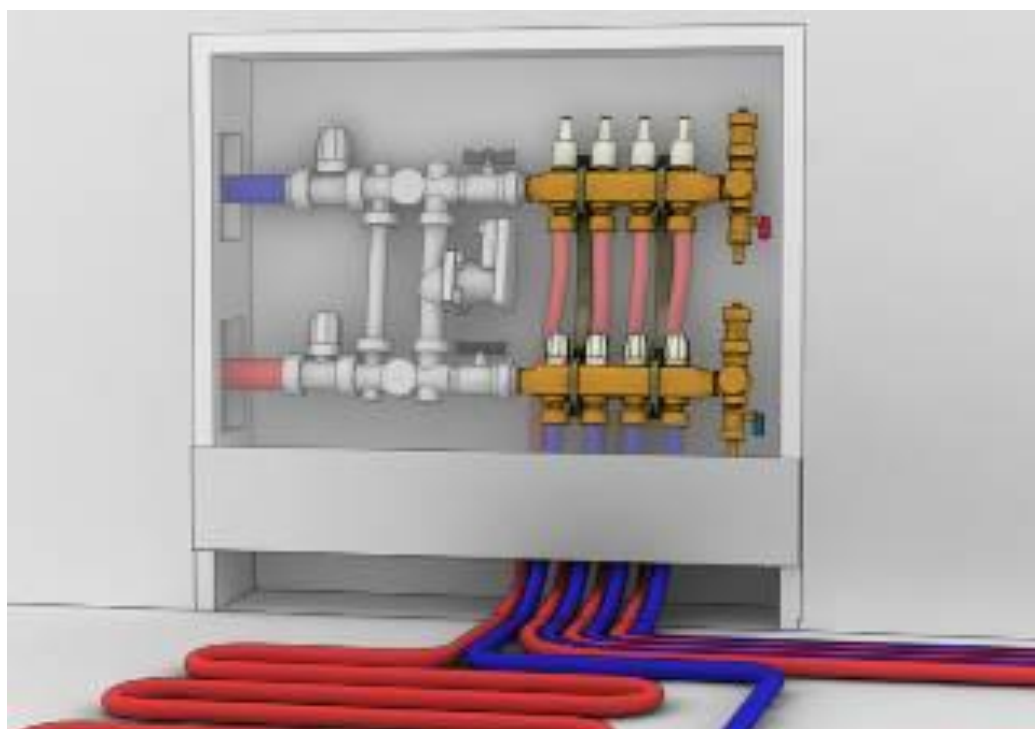


Code	Box dimensions	Dimensions [mm]			Manifold circuits	Manifold circuits with mixing set
		Total width	Total high	Total depth		
		A	B	C		
9-356X-350-00-35-01	350	350	580	110	4	-
9-356X-450-00-35-01	450	450	580	110	6	-
9-356X-600-00-35-01	600	600	580	110	8	-
9-356X-750-00-35-01	750	750	580	110	12	-
9-356X-900-00-35-01	900	900	580	110	14	-
9-356X-103-00-35-01	1030	1030	580	110	16	-
9-356X-113-00-35-01	1130	1130	580	110	18	-

X – 1: Coin lock

X – 2: Key lock

6. Exemplary application



7. Technical parameters and material used

Component /Element	Under plaster cabinet	Over plaster cabinet
Body	Zinc coated steel	Powder painted steel
Fascia panel	Powder painted steel	Powder painted steel
Doors	Powder painted steel	Powder painted steel
Legs	Zinc coated steel	Zinc coated steel
Mounting slat	Zinc coated steel	Zinc coated steel
Lock	Steel / Plastic	Steel / Plastic

8. Codes

Code	Box dimensions [mm]	Name
MANIFOLD CABINET COMPACT WITH MOVING PANEL UNDER PLASTER		
9-352X-335-00-35-01	335	MANIFOLD CABINET COMPACT WITH MOVING PANEL UNDER PLASTER 335/560-660/110-165
9-352X-435-00-35-01	435	MANIFOLD CABINET COMPACT WITH MOVING PANEL UNDER PLASTER 435/560-660/110-165
9-352X-535-00-35-01	535	MANIFOLD CABINET COMPACT WITH MOVING PANEL UNDER PLASTER 535/560-660/110-165
9-352X-635-00-35-01	635	MANIFOLD CABINET COMPACT WITH MOVING PANEL UNDER PLASTER 635/560-660/110-165
9-352X-735-00-35-01	735	MANIFOLD CABINET COMPACT WITH MOVING PANEL UNDER PLASTER 735/560-660/110-165
9-352X-835-00-35-01	835	MANIFOLD CABINET COMPACT WITH MOVING PANEL UNDER PLASTER 835/560-660/110-165
9-352X-935-00-35-01	935	MANIFOLD CABINET COMPACT WITH MOVING PANEL UNDER PLASTER 935/560-660/110-165
9-352X-1035-00-35-01	1035	MANIFOLD CABINET COMPACT WITH MOVING PANEL UNDER PLASTER 1035/560-660/110-165
MANIFOLD CABINET COMPACT UNDER PLASTER		
9-352X-335-00-35-01	335	MANIFOLD CABINET COMPACT UNDER PLASTER 335/560-660/110-165
9-352X-435-00-35-01	435	MANIFOLD CABINET COMPACT UNDER PLASTER 435/560-660/110-165
9-352X-535-00-35-01	535	MANIFOLD CABINET COMPACT UNDER PLASTER 535/560-660/110-165
9-352X-635-00-35-01	635	MANIFOLD CABINET COMPACT UNDER PLASTER 635/560-660/110-165
9-352X-735-00-35-01	735	MANIFOLD CABINET COMPACT UNDER PLASTER 735/560-660/110-165
9-352X-835-00-35-01	835	MANIFOLD CABINET COMPACT UNDER PLASTER 835/560-660/110-165
9-352X-935-00-35-01	935	MANIFOLD CABINET COMPACT UNDER PLASTER 935/560-660/110-165
9-352X-1035-00-35-01	1035	MANIFOLD CABINET COMPACT UNDER PLASTER 1035/560-660/110-165
MANIFOLD CABINET COMPACT OVER PLASTER		
9-356X-350-00-35-01	350	MANIFOLD CABINET COMPACT OVER PLASTER 350/580/110
9-356X-450-00-35-01	450	MANIFOLD CABINET COMPACT OVER PLASTER 450/580/110
9-356X-600-00-35-01	600	MANIFOLD CABINET COMPACT OVER PLASTER 600/580/110
9-356X-750-00-35-01	750	MANIFOLD CABINET COMPACT OVER PLASTER 750/580/110
9-356X-900-00-35-01	900	MANIFOLD CABINET COMPACT OVER PLASTER 900/580/110
9-356X-103-00-35-01	1030	MANIFOLD CABINET COMPACT OVER PLASTER 1030/580/110
9-356X-113-00-35-01	1130	MANIFOLD CABINET COMPACT OVER PLASTER 1130/580/110

X – 1: Coin lock

X – 2: Key lock

9. Logistic Data

Code	Type	Unit Package			Paleta 2,0 m	
		Quantity [pieces]	Dimensions:	Weight	Unit Package Quantity on a Palette	Weight
			length x height x width [mm]	[kg]	[pieces]	[kg]
9-352X-335-00-35-01	MANIFOLD CABINET COMPACT WITH MOVING PANEL	1	415x140x650	4,5	48	216,0
9-352X-435-00-35-01		1	545x140x650	5,3	30	159,0
9-352X-535-00-35-01		1	357x126x597	6	26	156,0

9-352X-635-00-35-01		1	695x140x560	6,8	19	129,2
9-352X-735-00-35-01		1	845x140x650	7,5	19	142,5
9-352X-835-00-35-01		1	1045x140x650	8,3	13	107,9
9-352X-935-00-35-01		1	1045x140x650	9	13	117,0
9-352X-035-00-35-01		1	1145x140x650	9,8	13	127,4
9-352X-350-00-35-01	MANIFOLD CABINET COMPACT, UNDER PLASTER	1	407x126x597	5	42	210,0
9-352X-450-00-35-01		1	507x126x597	6,25	39	243,8
9-352X-600-00-35-01		1	657x126x597	7,7	27	207,9
9-352X-750-00-35-01		1	807x126x597	7,9	18	142,2
9-352X-900-00-35-01		1	957x126x597	10	18	180,0
9-352X-103-00-35-01		1	1087x126x597	10,8	18	194,4
9-352X-113-00-35-01		1	1187x126x597	11,8	18	212,4
9-356X-350-00-35-01	MANIFOLD CABINET COMPACT, OVER PLASTER	1	366x126x596	4,15	54	224,1
9-356X-450-00-35-01		1	466x126x596	4,9	36	176,4
9-356X-600-00-35-01		1	616x126x596	6,15	36	221,4
9-356X-750-00-35-01		1	766x126x596	7,3	30	219,0
9-356X-900-00-35-01		1	916x126x596	8,5	18	153,0
9-356X-103-00-35-01		1	1046x126x596	9,7	18	174,6
9-356X-113-00-35-01		1	1146x126x596	10,5	18	189,0

X – 1: Coin lock

X – 2: Key lock

10. Box Packaging



11. Advantages

- high quality of workmanship supervised on the permanent basis during manufacturing process
- high workmanship that guarantees stability of the box and reliable mounting of a distributor
- a number of holes intended for pipe branch guarantees multi-purpose connection method of supply and return installation from any side of the box
- adjustable legs and fascia panel allow an ideal facing of the box with the surface of the wall
- big, removable door guarantees a free access to the interior of the box
- a wide range of box sizes allows each type of distributor to be fitted to a box

- the box door and fascia panel are painted white according to RAL 9001/9002
- high quality of paint coat of fascia panel and doors and the box body made of zinc metal sheet guarantee high resistance to corrosion
- three types of the box door lock – polymer/plastic, key and coin locks

12. Warranty and liability

During the installation it is required to observe OHS rules included in building regulations and norms. Capricorn S.A. More information about warranty and extent of liability on www.capricorn.pl/en

13. Manufacturer

Capricorn S.A.

58-160 Świebodzice,

Ciernie 11

tel./fax +48/74/854 05 16

www.capricorn.pl/en

e-mail: capricorn@capricorn.pl