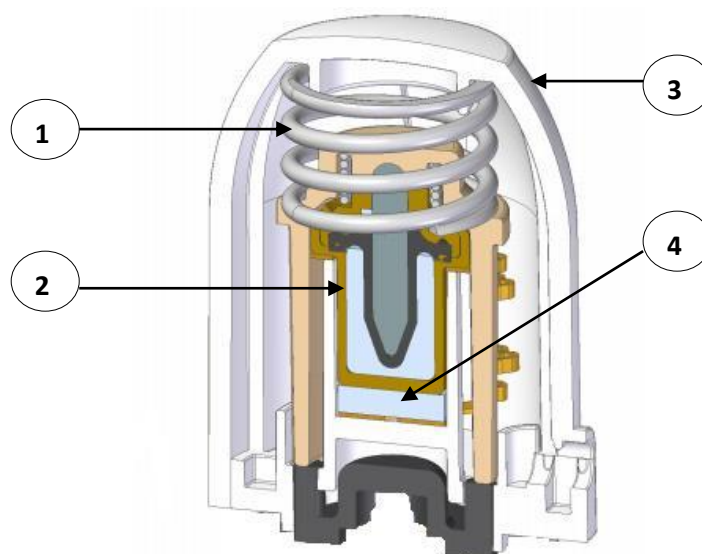


PRODUCT DATA SHEET (ver.04/02.2018)**1. Name**

Manifold actuator NC 230V/24V, M30x1,5

2. Characteristics

The thermoregulating electric actuator valve after connecting with the thermostat, enables controlling the room temperature. The actuator is installed to the thermoregulating valve on the manifold beam. It is responsible for opening and closing the heating flow within the heating loop, which in turn gives the user control over the room temperature. Capricorn actuator is normally closed.

3. Construction and materials

1. Spring
2. Decompression Unit
3. Cover (Poliamide)
4. Heating element

4. Technical data

Technical data	
Power supply	230V ~ 50Hz
Version	normally closed
Travel	max 4,5 mm
Wire length	1 m
Cover material	ABS
Protection level	IP 54
Connection	M 30 x 1.5
Closing force	90 N
Safety class	II

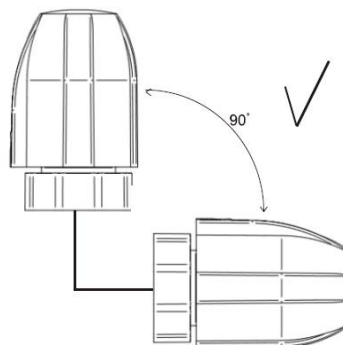
The actuator is equipped with a LED-diode which indicates about the current unit's work. The LED-diode does not affect the proper operation of the actuator when turned off.

5. Product code

Product code	Name
9-3850-030-00-22-00	Electric actuator NC, 230V, M30X1,5
9-3851-030-00-22-00	Electric actuator NC, 24V, M30X1,5

6. Mounting

- in order to work properly, the actuator should be installed according to the following guidelines,
- the nut should be screwed straight onto the surface of the beam, otherwise it may cause malfunction.
- winding should start by setting the actuator onto the valve, pushing the valve to the closed,
- position – this will assure correct winding,
- mounting should be carried out without the usage of tools,
- mounting an actuator which has not been tested by Capricorn is done at your own risk.



7. Logistic data

Product code	Individual box.			Pallet 2,0m	
	Pieces per box (pcs.)	Dimensions L x W x H (mm)	Weight [kg]	Boxes per pallet.	Weight [kg]
9-3850-030-00-22-00	1	80x50x80	0,15	4200	630
9-3851-030-00-22-00	1	80x50x80	0,15	4200	630

8. Advantages

- compatible with all Capricorn manifolds (version with thermoregulating valve),
- works with any type of controller 230 V for floor heating,
- equipped with LED-diode Signac indicating the units work,
- low energy consumption 1,8W,
- the actuator keeps the valve closed when power is cut (NC).

9. Warranty and responsibilities

During the installation it is required to observe OHS rules included in building regulations and norms. Capricorn S.A. More information about warranty and extent of liability on www.capricorn.pl/en

10. Manufacturer

Capricorn S.A.

58-160 Świebodzice,
Ciernie 11

tel./fax +48/74/854 05 16

www.capricorn.pl/en

e-mail: capricorn@capricorn.pl