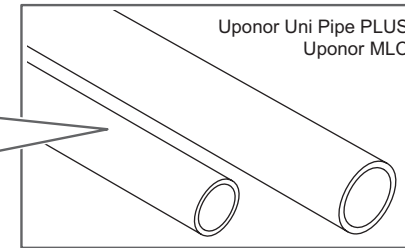
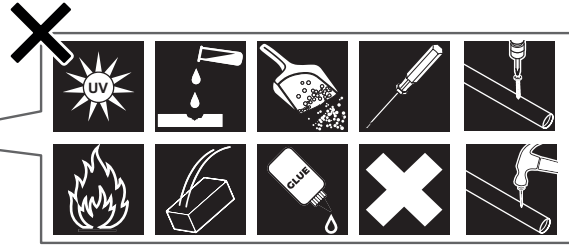
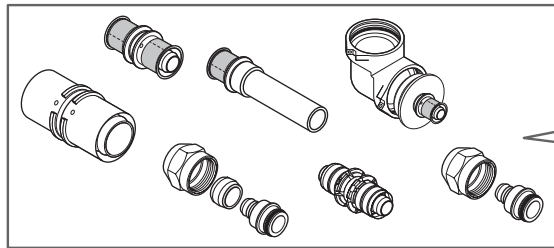


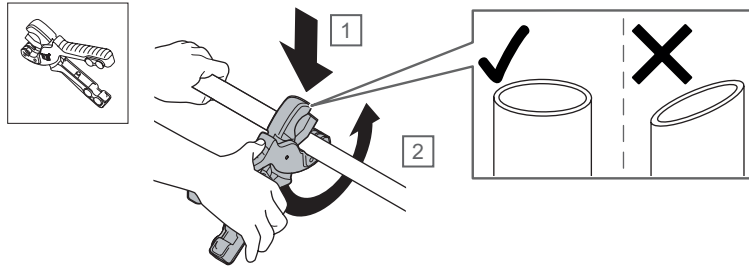
Uponor Uni Pipe and S-Press system 14–110 mm



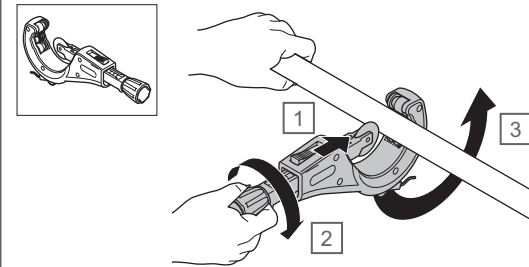
These products must be installed in accordance with the Plumbing Code of Australia and the AS/NZS 3500 series, including all clauses relevant to water services, sanitary plumbing and drainage, storm-water, and heated water systems. This product complies with the requirements of Lead-Free standards as defined in the National Construction Code Volume 3 and is suitable for use as part of Lead-Free installation.



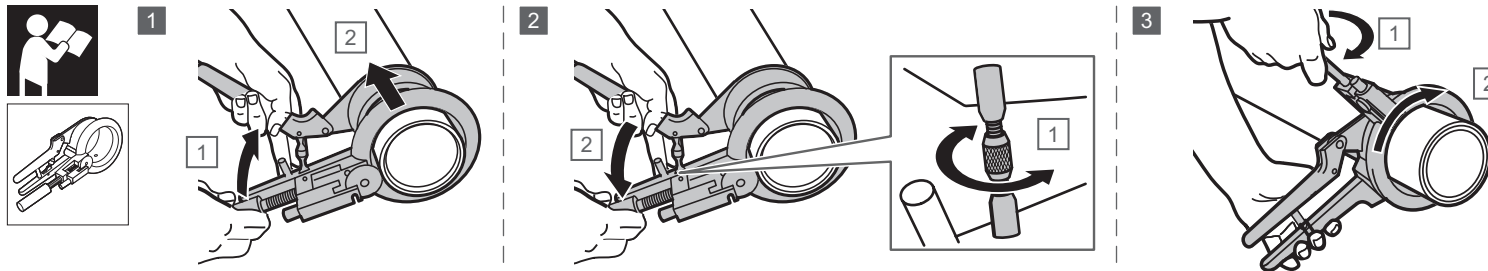
Ø14 - Ø25 mm



Ø25 - Ø63 mm, Ø50 - Ø110 mm



Ø63 - Ø110 mm





A

| d_a [mm] | R_{min} [mm] | |
|------------|----------------|-----|
| 14 | 70 | - |
| 16 | 64 | 64 |
| 20 | 80 | 80 |
| 25 | 125 | 125 |
| 32 | 160 | - |

B

Ø14 - Ø32 mm

| d_a [mm] | R_{min} [mm] | |
|------------|----------------|----|
| 14 | 56 | - |
| 16 | 48 | 48 |
| 20 | 60 | 60 |
| 25 | 75 | 75 |
| 32 | 96 | - |

C

Ø14 - Ø25 mm

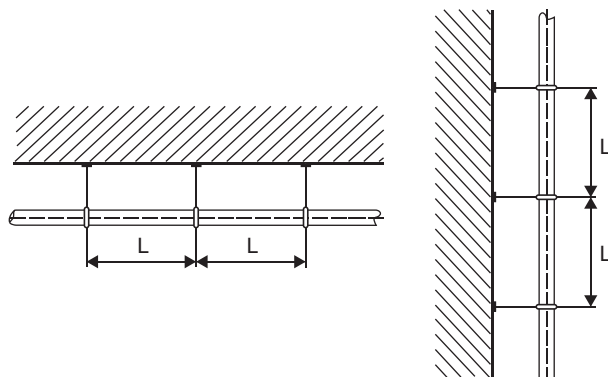
| d_a [mm] | R_{min} [mm] | |
|------------|----------------|----|
| 14 | 56 | - |
| 16 | 48 | 48 |
| 20 | 60 | 60 |
| 25 | 75 | 75 |

D

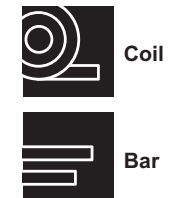
Ø16 - Ø32 mm

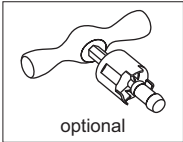
| d_a [mm] | R_{min} [mm] | | L_{90° [mm] |
|------------|----------------|------|---------------------|
| 16 | 32 | 32 | 92 |
| 20 | 40 | 40 | 88 |
| 25 | 62,5 | 62,5 | 92 |
| 32 | 80 | 80 | 88 |

$$\Delta l \text{ [mm]} = \Delta\theta \text{ [K]} \cdot 0,025 \left[\frac{\text{mm}}{\text{m}\cdot\text{K}} \right] \cdot L \text{ [m]}$$

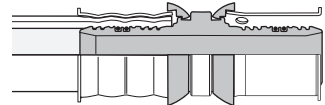
$$BS \text{ [mm]} = 30 \cdot \sqrt{d_a \text{ [mm]} \cdot \Delta l \text{ [mm]}}$$


| Pipe dimension $d_a \times s$ [mm] | Maximum fastening distance between the pipe clamps L [m] | | |
|--|--|------|----------|
| | horizontal | | vertical |
| | Coil | Bar | |
| 14 × 2,0 | 1,20 | - | 1,70 |
| 16 × 2,0 | 1,20 | 2,00 | 2,30 |
| 20 × 2,25 | 1,30 | 2,30 | 2,60 |
| 25 × 2,5 | 1,50 | 2,60 | 3,00 |
| 32 × 3,0 | 1,60 | 2,60 | 3,00 |
| 40 × 4,0 | - | 2,00 | 2,20 |
| 50 × 4,5 | - | 2,00 | 2,60 |
| 63 × 6,0 | - | 2,20 | 2,85 |
| 75 × 7,5 | - | 2,40 | 3,10 |
| 90 × 8,5 | - | 2,40 | 3,10 |
| 110 × 10,0 | - | 2,40 | 3,10 |



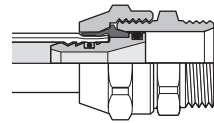


S-Press PLUS
S-Press PLUS PPSU

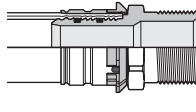


Ø16 - Ø32 mm

S-Press

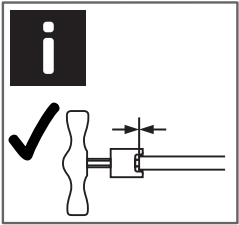


Ø14 - Ø32 mm

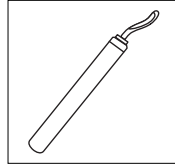


Ø14 - Ø25 mm

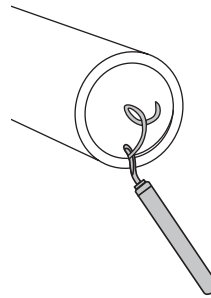
A



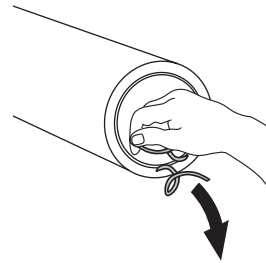
Ø40 - Ø110 mm



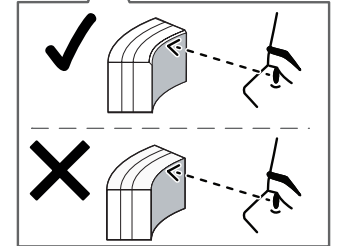
1



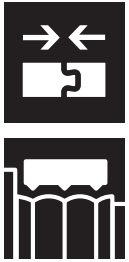
2



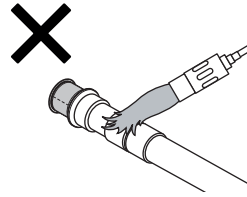
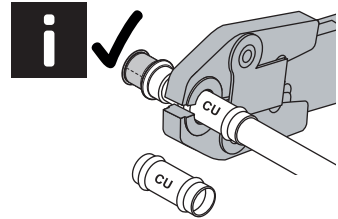
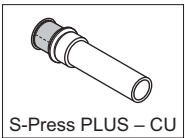
3



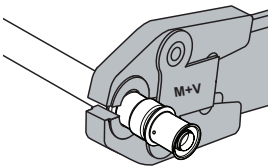
B



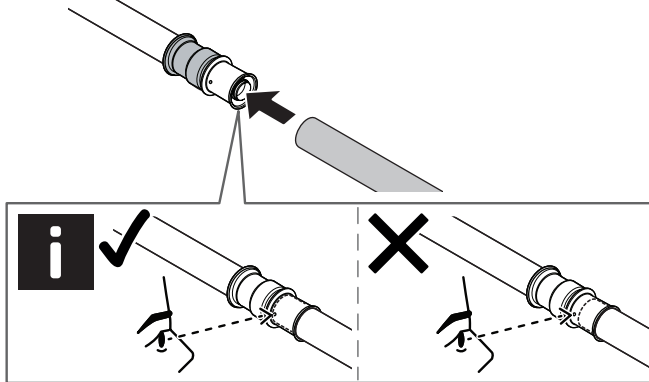
Ø14 - Ø32 mm



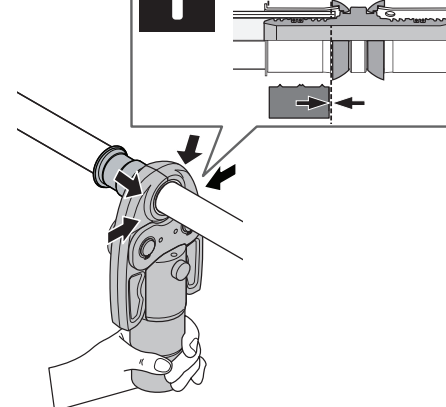
1



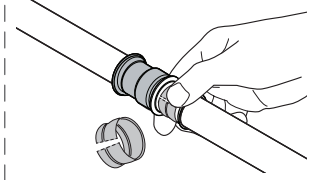
2



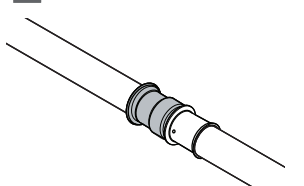
3



4



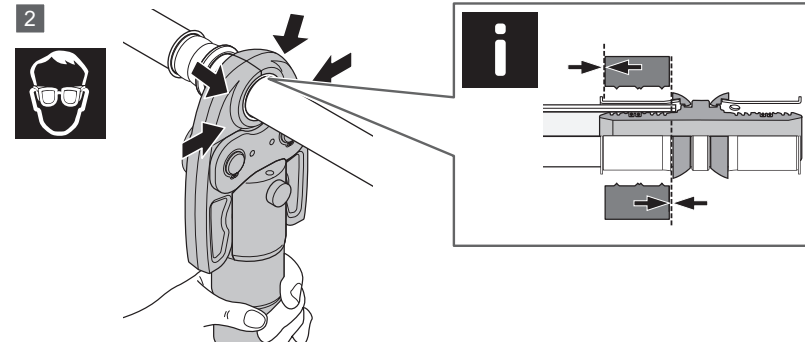
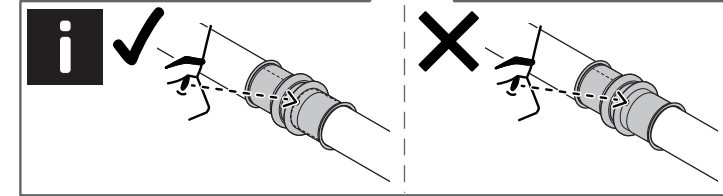
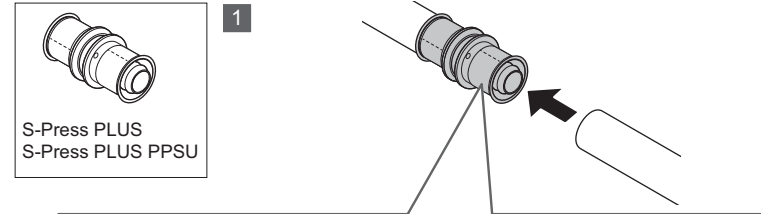
5





| | | UP110 UP75 | | UP75 EL | Mini2 Mini | |
|---------------------------------------|---------|---------------|---------|---------|---------------|---------|
| | | UPP1 | | | | |
| S-Press PLUS S-Press PLUS PPSU | 16 – 20 | 16 – 32 | – | – | 16 – 32 | – |
| S-Press | 14 – 20 | 14 – 32 | – | – | 14 – 32 | – |
| S-Press S-Press PPSU | – | – | 40 – 50 | 63 – 75 | – | – |
| RS | – | | | | | – |
| Uni | – | – | – | – | – | 14 – 25 |

Ø16 - Ø32 mm





Ø40 - Ø50 mm

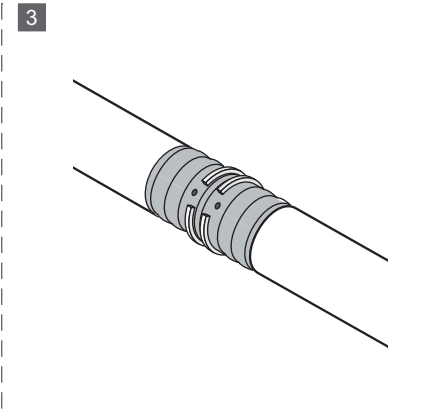
1

S-Press
S-Press PPSU

i ✓ ✗

2

i

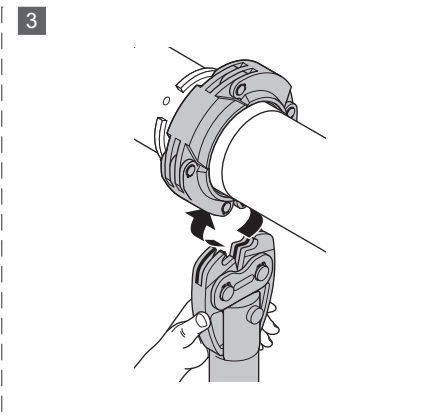
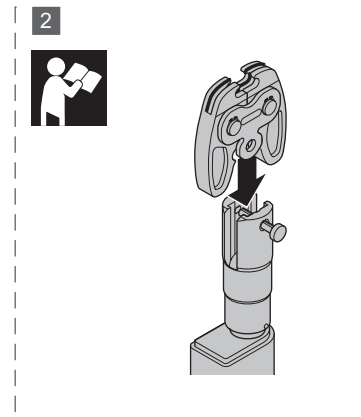
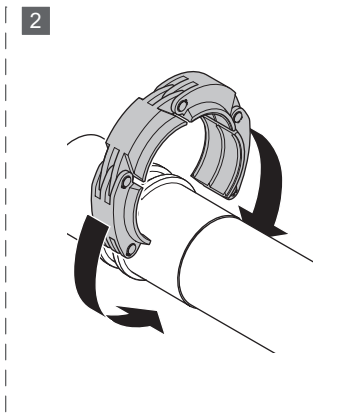


Ø63 - Ø75 mm

1

S-Press PPSU

i ✓ ✗

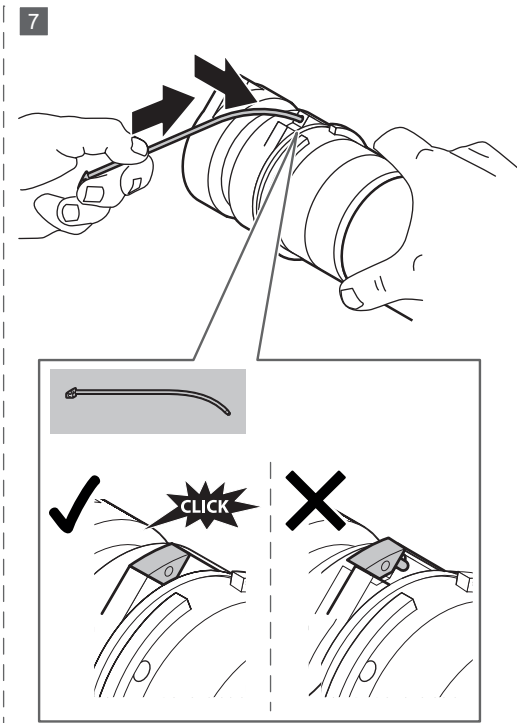
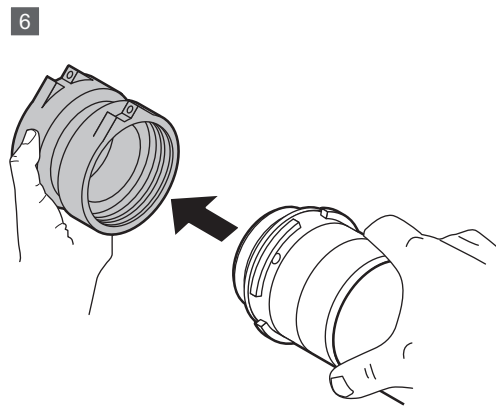
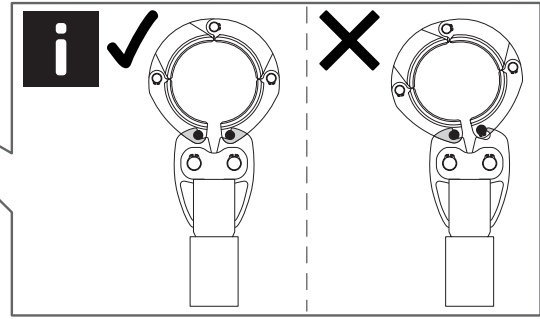
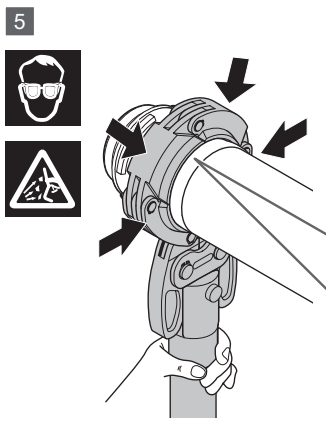
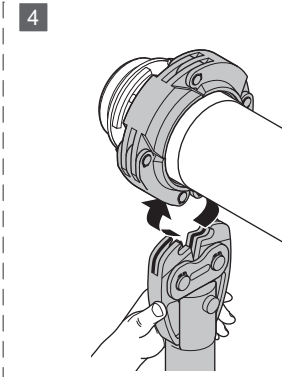
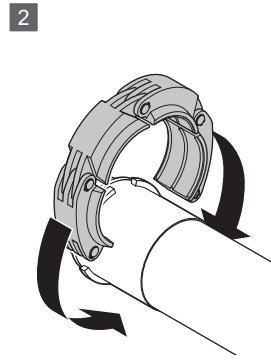
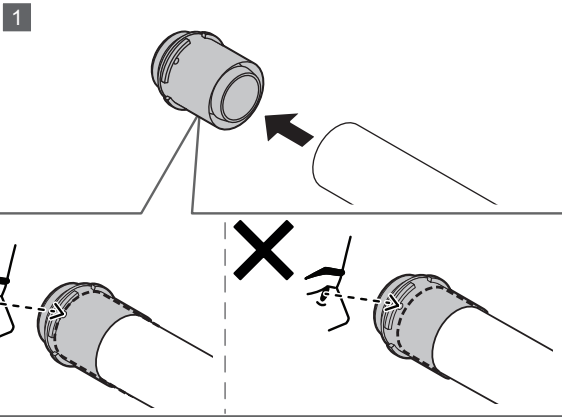
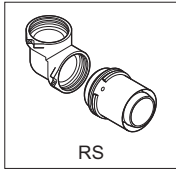


4

i ✓ ✗



Ø63 - Ø110 mm

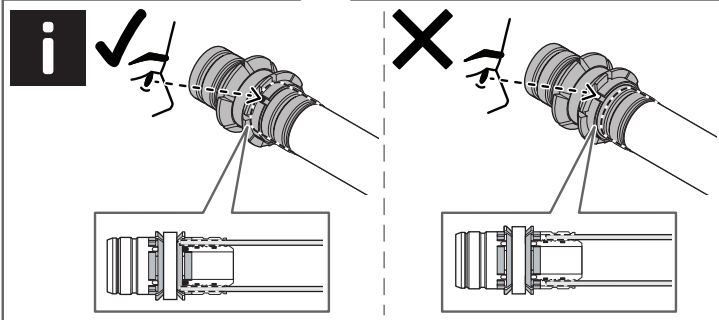
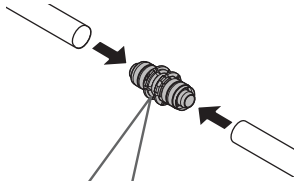




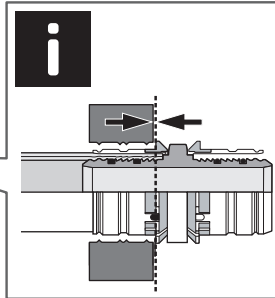
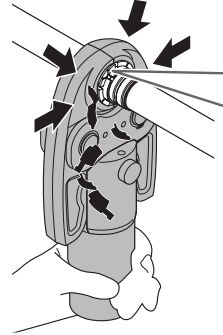
Ø14 - Ø32 mm



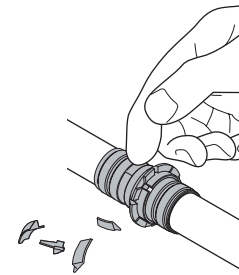
1



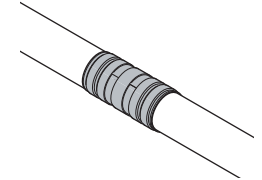
2



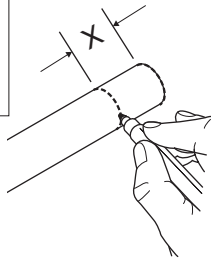
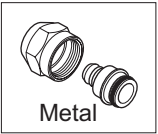
2



2



Ø14 - Ø25 mm

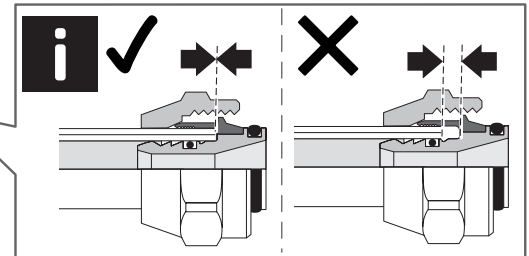
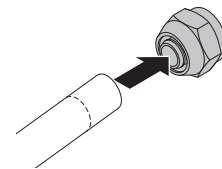


| Fitting Dim. | X [mm] |
|--------------|--------|
| 14 - 1/2" | 8 |
| 16 - 1/2" | 8 |
| 20 - 1/2" | 10 |

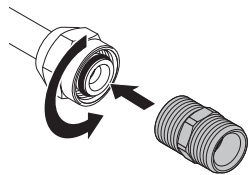
| Fitting Dim. | X [mm] |
|--------------|--------|
| 14 - 3/4" | 10 |
| 16 - 3/4" | 10 |
| 20 - 3/4" | 10 |
| 25 - 3/4" | 11 |

| Fitting Dim. [mm] | X [mm] |
|-------------------|--------|
| NL 14-15 | 8 |
| NL 16-15 | 8 |
| NL 20-22 | 10 |
| NL 25-22 | 14 |

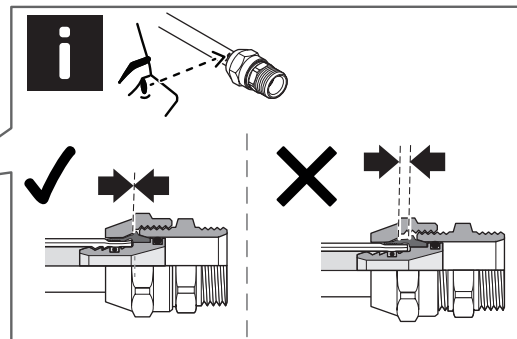
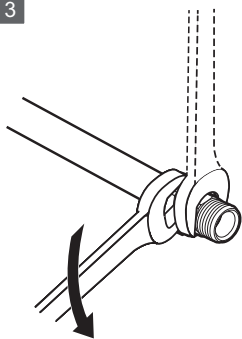
1



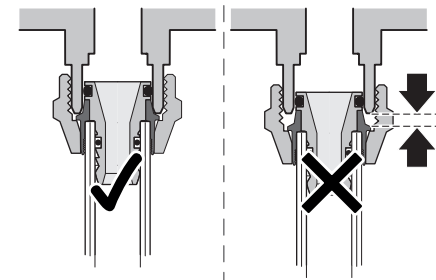
2

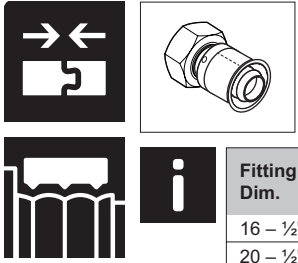


3

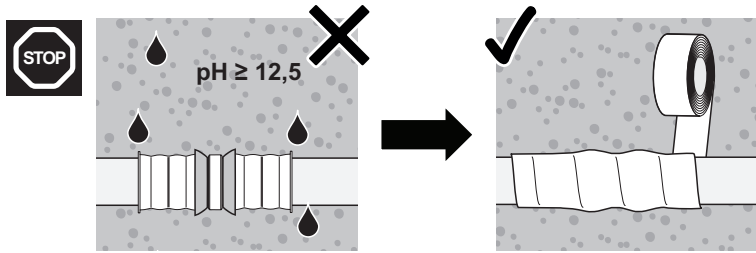
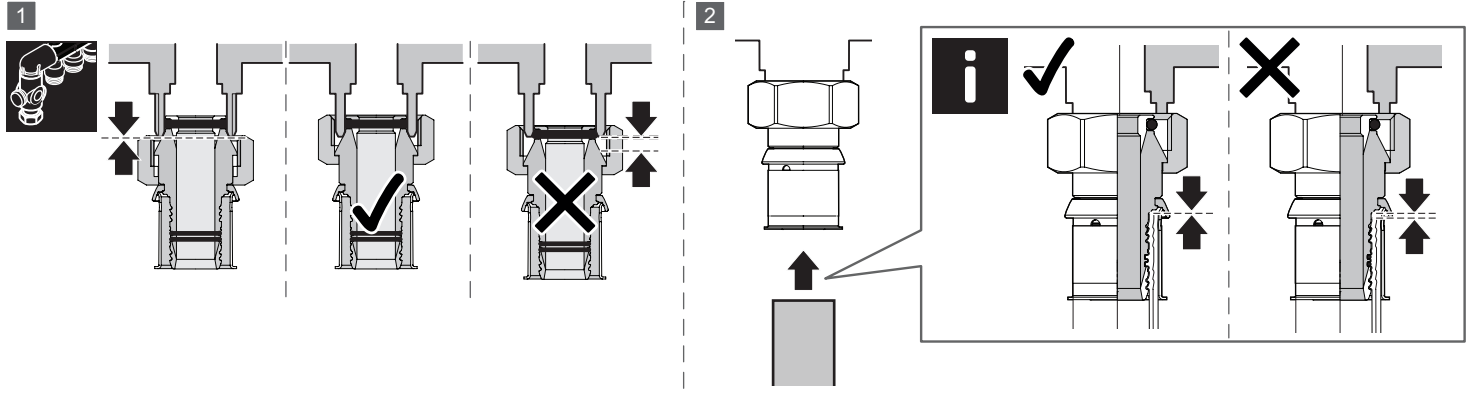


4





| | |
|---------------------|---------------------|
| Fitting Dim. | Fitting Dim. |
| 16 – ½" FT Uni-C | 16 – ¾" FT Euro |
| 20 – ½" FT Uni-C | 20 – ¾" FT Euro |
| Fitting Dim. | Fitting Dim. |
| 16 – ½" FT (SW) | 16 – M22 |
| 16 – ½" FT 15mm | 20 – M22 |



Uponor GmbH
 Industriestraße 56,
 D-97437 Hassfurt, Germany

1240058 v2_05_2026
 GF / SKA

Uponor reserves the right to make changes, without prior notification, to the specification of incorporated components in line with its policy of continuous improvement and development.



www.uponor.com