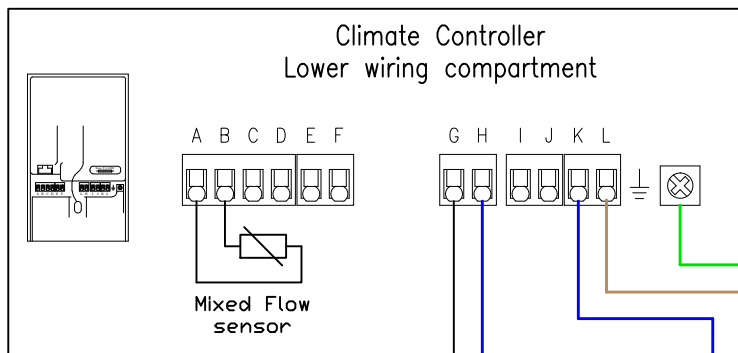
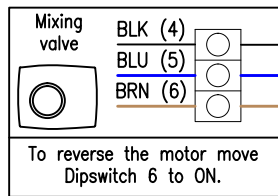


Climate Controller notes,
The air sensors can be connected in three different ways, this schematic shows the hard wired sensors. For further options refer to the climate controller – installation and operation manual page 7 paragraph 3.2.



Switch live from controller



Underfloor heating pump

Common and switch live for boiler enable
CONTACT BOILER MANUFACTURER IF UNSURE WHERE TO CONNECT

